

TONAVA, akciová spoločnosť



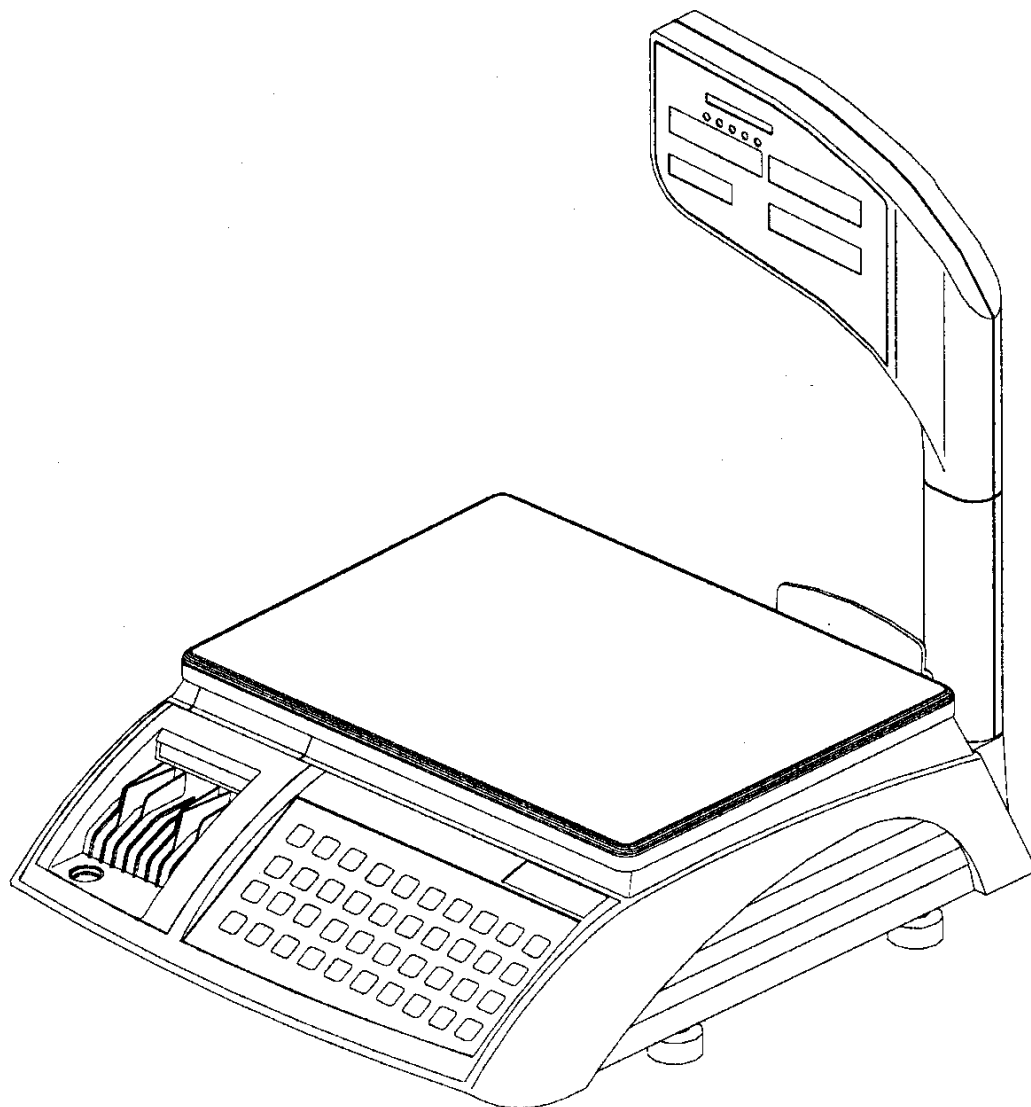
ELEKTRONICKÉ VÁHY BASIC LABEL

Katalog náhradných dielů

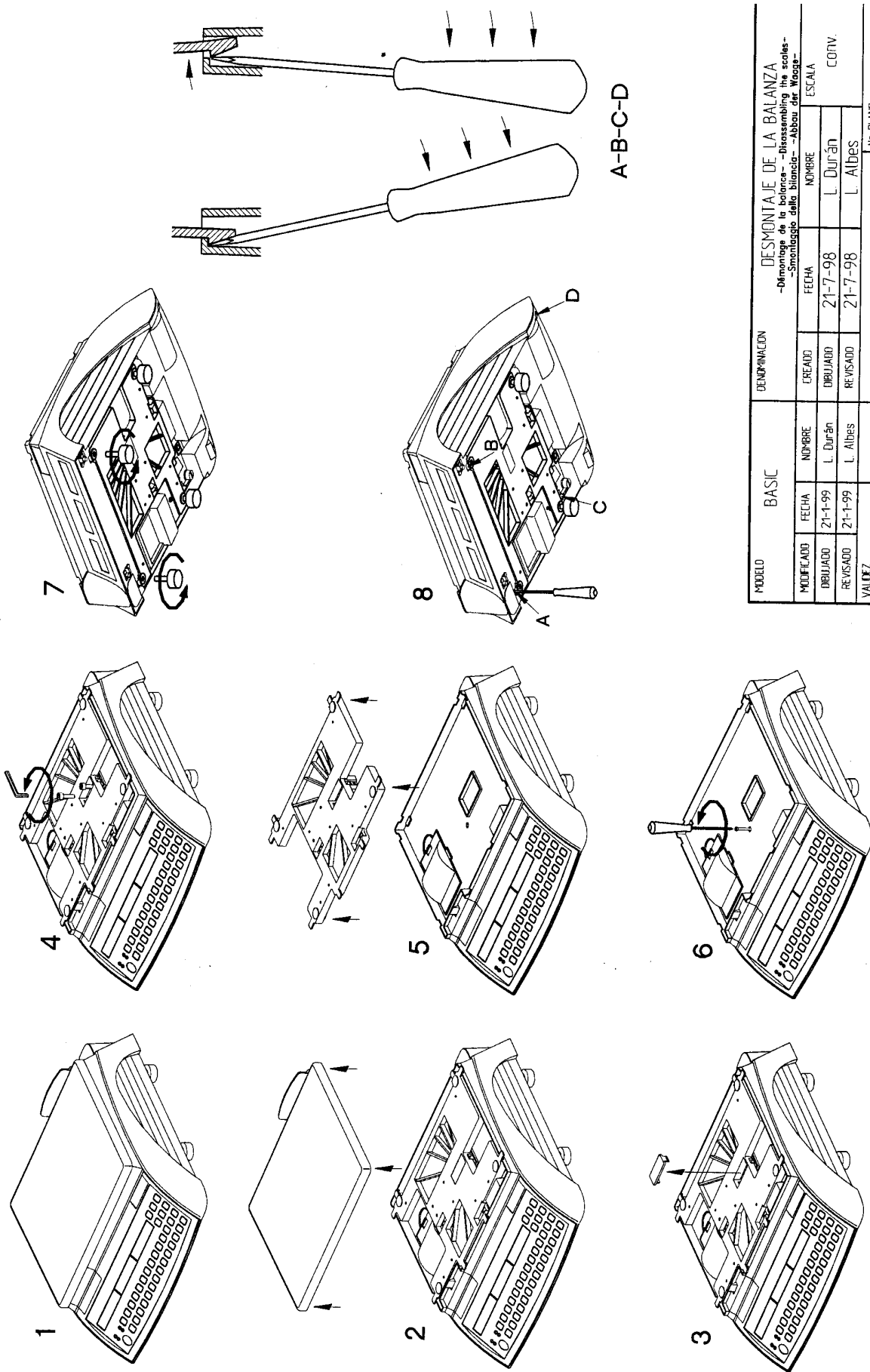
Obsah

Katalogu náhradních dílů pro váhy Basic LABEL

I

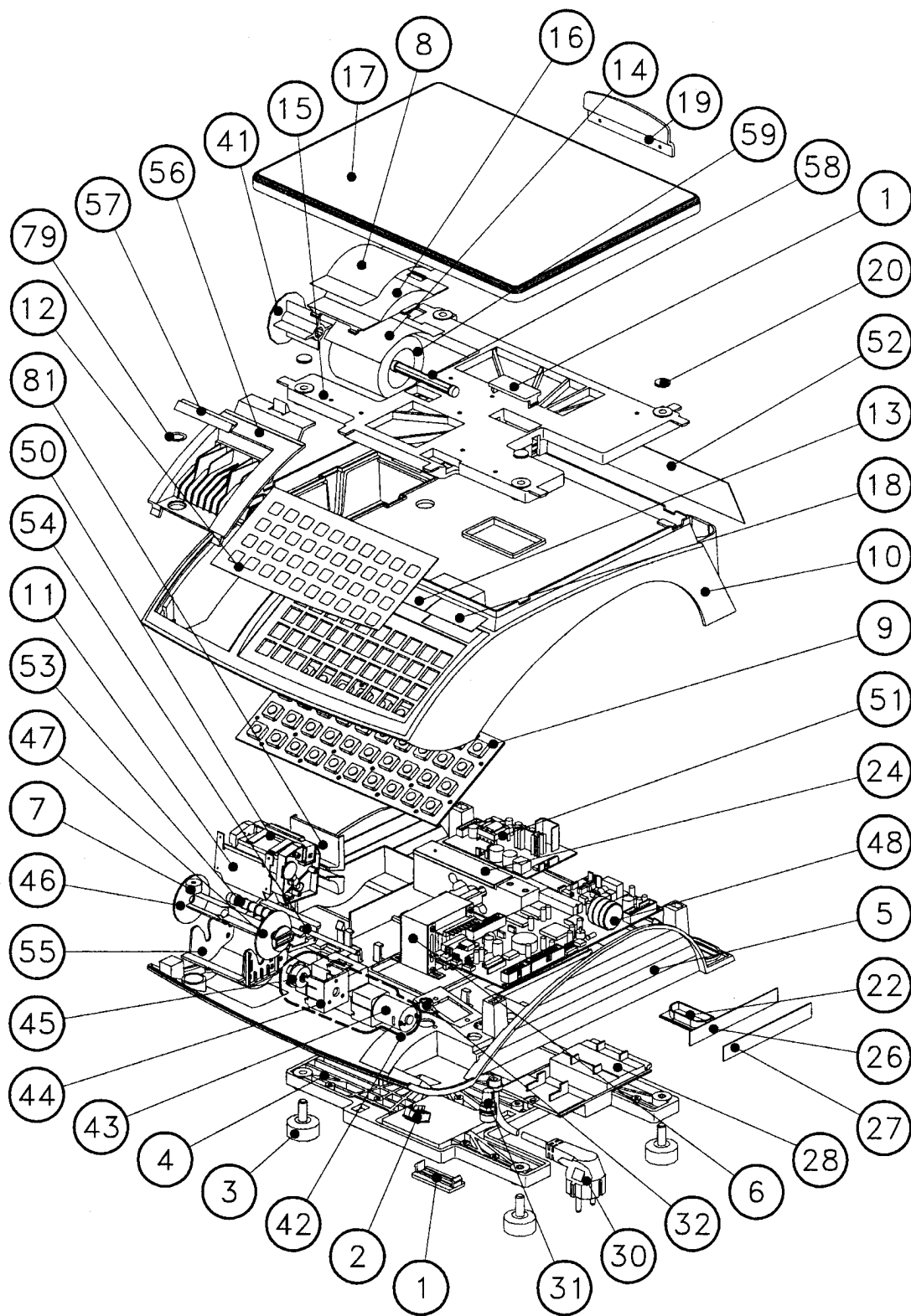



KatLABEL_01

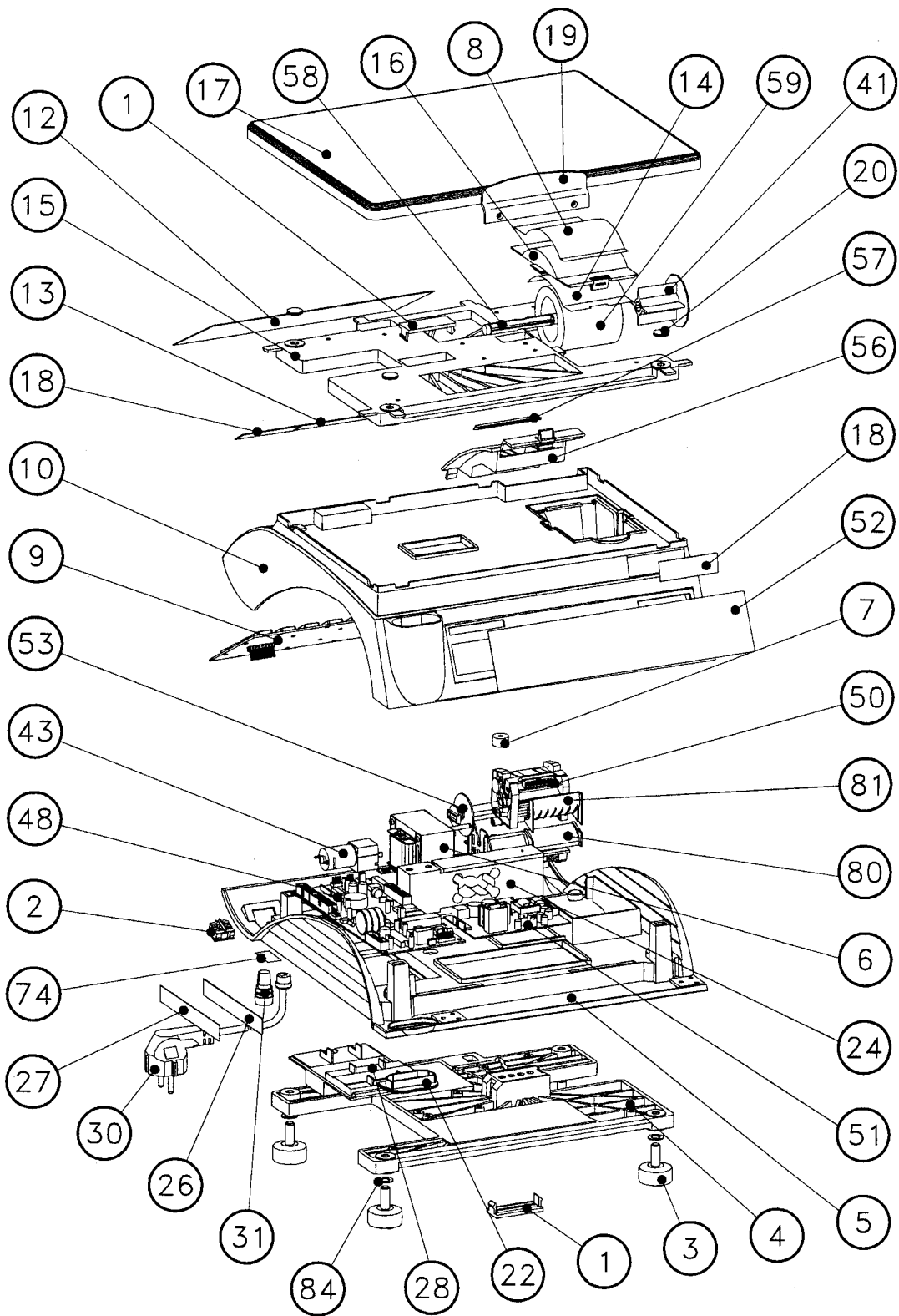



A-B-C-D

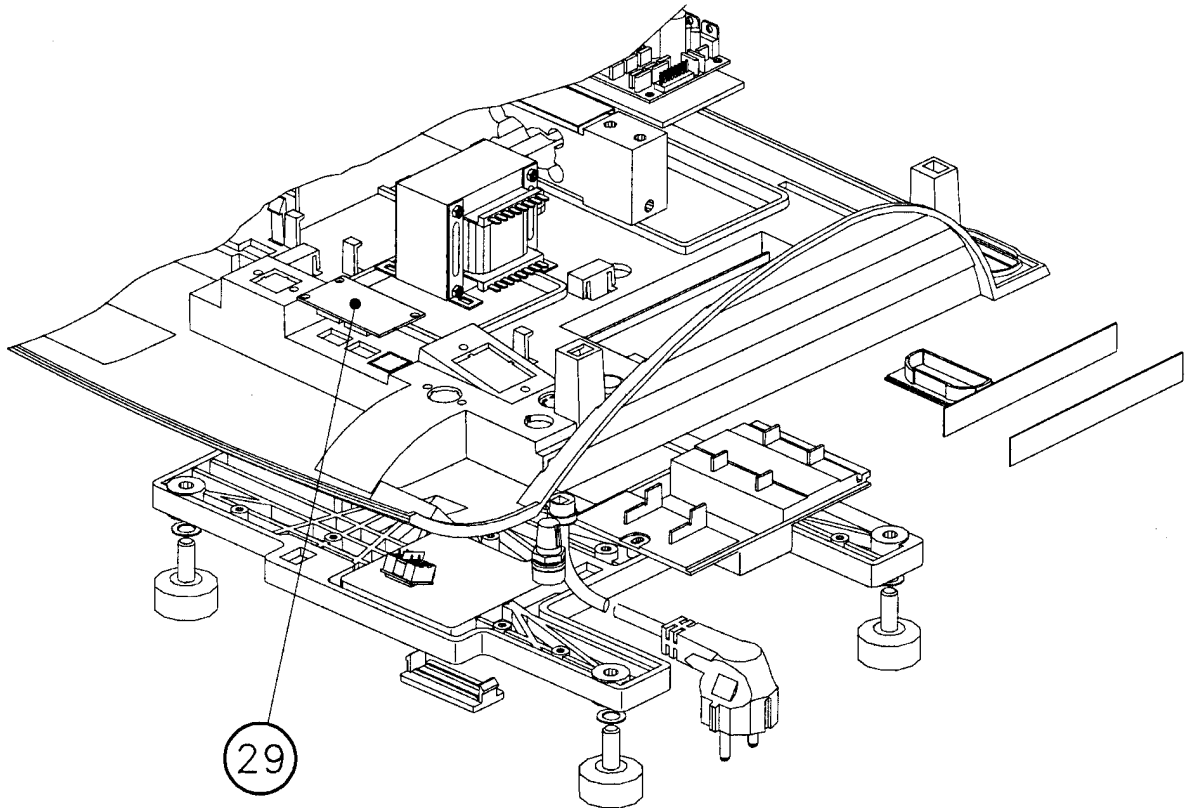
| MODELO | | BASIC | | DENOMINACION | | | |
|--------|--|----------|----------|--------------|---------|----------|--------|
| | | FECHA | NOMBRE | CREADO | FECHA | NOMBRE | ESCALA |
| | | 21-1-99 | L. Durán | 21-7-98 | 21-7-98 | L. Durán | CONV. |
| | | REVISADO | 21-1-99 | REVISADO | 21-7-98 | L. Albes | |
| VALDEZ | | 2 | 3 | 4 | 5 | 6 | 7 |
| | | 10 | 11 | 12 | 13 | 14 | 15 |
| | | 16 | 17 | 18 | 19 | 20 | 21 |
| | | 22 | 23 | 24 | 25 | 26 | 27 |
| | | 28 | 29 | 30 | 31 | 32 | 33 |
| | | 34 | 35 | 36 | 37 | 38 | 39 |
| | | 40 | 41 | 42 | 43 | 44 | 45 |
| | | 46 | 47 | 48 | 49 | 50 | 51 |
| | | 52 | 53 | 54 | 55 | 56 | 57 |
| | | 58 | 59 | 60 | 61 | 62 | 63 |
| | | 64 | 65 | 66 | 67 | 68 | 69 |
| | | 70 | 71 | 72 | 73 | 74 | 75 |
| | | 76 | 77 | 78 | 79 | 80 | 81 |
| | | 82 | 83 | 84 | 85 | 86 | 87 |
| | | 88 | 89 | 90 | 91 | 92 | 93 |
| | | 94 | 95 | 96 | 97 | 98 | 99 |
| | | 100 | 101 | 102 | 103 | 104 | 105 |
| | | 106 | 107 | 108 | 109 | 110 | 111 |
| | | 112 | 113 | 114 | 115 | 116 | 117 |
| | | 118 | 119 | 120 | 121 | 122 | 123 |
| | | 124 | 125 | 126 | 127 | 128 | 129 |
| | | 130 | 131 | 132 | 133 | 134 | 135 |
| | | 136 | 137 | 138 | 139 | 140 | 141 |
| | | 142 | 143 | 144 | 145 | 146 | 147 |
| | | 148 | 149 | 150 | 151 | 152 | 153 |
| | | 154 | 155 | 156 | 157 | 158 | 159 |
| | | 160 | 161 | 162 | 163 | 164 | 165 |
| | | 166 | 167 | 168 | 169 | 170 | 171 |
| | | 172 | 173 | 174 | 175 | 176 | 177 |
| | | 178 | 179 | 180 | 181 | 182 | 183 |
| | | 184 | 185 | 186 | 187 | 188 | 189 |
| | | 190 | 191 | 192 | 193 | 194 | 195 |
| | | 196 | 197 | 198 | 199 | 200 | 201 |
| | | 202 | 203 | 204 | 205 | 206 | 207 |
| | | 208 | 209 | 210 | 211 | 212 | 213 |
| | | 214 | 215 | 216 | 217 | 218 | 219 |
| | | 220 | 221 | 222 | 223 | 224 | 225 |
| | | 226 | 227 | 228 | 229 | 230 | 231 |
| | | 232 | 233 | 234 | 235 | 236 | 237 |
| | | 238 | 239 | 240 | 241 | 242 | 243 |
| | | 244 | 245 | 246 | 247 | 248 | 249 |
| | | 250 | 251 | 252 | 253 | 254 | 255 |
| | | 256 | 257 | 258 | 259 | 260 | 261 |
| | | 262 | 263 | 264 | 265 | 266 | 267 |
| | | 268 | 269 | 270 | 271 | 272 | 273 |
| | | 274 | 275 | 276 | 277 | 278 | 279 |
| | | 280 | 281 | 282 | 283 | 284 | 285 |
| | | 286 | 287 | 288 | 289 | 290 | 291 |
| | | 292 | 293 | 294 | 295 | 296 | 297 |
| | | 298 | 299 | 300 | 301 | 302 | 303 |
| | | 304 | 305 | 306 | 307 | 308 | 309 |
| | | 310 | 311 | 312 | 313 | 314 | 315 |
| | | 316 | 317 | 318 | 319 | 320 | 321 |
| | | 322 | 323 | 324 | 325 | 326 | 327 |
| | | 328 | 329 | 330 | 331 | 332 | 333 |
| | | 334 | 335 | 336 | 337 | 338 | 339 |
| | | 340 | 341 | 342 | 343 | 344 | 345 |
| | | 346 | 347 | 348 | 349 | 350 | 351 |
| | | 352 | 353 | 354 | 355 | 356 | 357 |
| | | 358 | 359 | 360 | 361 | 362 | 363 |
| | | 364 | 365 | 366 | 367 | 368 | 369 |
| | | 370 | 371 | 372 | 373 | 374 | 375 |
| | | 376 | 377 | 378 | 379 | 380 | 381 |
| | | 382 | 383 | 384 | 385 | 386 | 387 |
| | | 388 | 389 | 390 | 391 | 392 | 393 |
| | | 394 | 395 | 396 | 397 | 398 | 399 |
| | | 400 | 401 | 402 | 403 | 404 | 405 |
| | | 406 | 407 | 408 | 409 | 410 | 411 |
| | | 412 | 413 | 414 | 415 | 416 | 417 |
| | | 418 | 419 | 420 | 421 | 422 | 423 |
| | | 424 | 425 | 426 | 427 | 428 | 429 |
| | | 430 | 431 | 432 | 433 | 434 | 435 |
| | | 436 | 437 | 438 | 439 | 440 | 441 |
| | | 442 | 443 | 444 | 445 | 446 | 447 |
| | | 448 | 449 | 450 | 451 | 452 | 453 |
| | | 454 | 455 | 456 | 457 | 458 | 459 |
| | | 460 | 461 | 462 | 463 | 464 | 465 |
| | | 466 | 467 | 468 | 469 | 470 | 471 |
| | | 472 | 473 | 474 | 475 | 476 | 477 |
| | | 478 | 479 | 480 | 481 | 482 | 483 |
| | | 484 | 485 | 486 | 487 | 488 | 489 |
| | | 490 | 491 | 492 | 493 | 494 | 495 |
| | | 496 | 497 | 498 | 499 | 500 | 501 |
| | | 502 | 503 | 504 | 505 | 506 | 507 |
| | | 508 | 509 | 510 | 511 | 512 | 513 |
| | | 514 | 515 | 516 | 517 | 518 | 519 |
| | | 520 | 521 | 522 | 523 | 524 | 525 |
| | | 526 | 527 | 528 | 529 | 530 | 531 |
| | | 532 | 533 | 534 | 535 | 536 | 537 |
| | | 538 | 539 | 540 | 541 | 542 | 543 |
| | | 544 | 545 | 546 | 547 | 548 | 549 |
| | | 550 | 551 | 552 | 553 | 554 | 555 |
| | | 556 | 557 | 558 | 559 | 560 | 561 |
| | | 562 | 563 | 564 | 565 | 566 | 567 |
| | | 568 | 569 | 570 | 571 | 572 | 573 |
| | | 574 | 575 | 576 | 577 | 578 | 579 |
| | | 580 | 581 | 582 | 583 | 584 | 585 |
| | | 586 | 587 | 588 | 589 | 590 | 591 |
| | | 592 | 593 | 594 | 595 | 596 | 597 |
| | | 598 | 599 | 600 | 601 | 602 | 603 |
| | | 604 | 605 | 606 | 607 | 608 | 609 |
| | | 610 | 611 | 612 | 613 | 614 | 615 |
| | | 616 | 617 | 618 | 619 | 620 | 621 |
| | | 622 | 623 | 624 | 625 | 626 | 627 |
| | | 628 | 629 | 630 | 631 | 632 | 633 |
| | | 634 | 635 | 636 | 637 | 638 | 639 |
| | | 640 | 641 | 642 | 643 | 644 | 645 |
| | | 646 | 647 | 648 | 649 | 650 | 651 |
| | | 652 | 653 | 654 | 655 | 656 | 657 |
| | | 658 | 659 | 660 | 661 | 662 | 663 |
| | | 664 | 665 | 666 | 667 | 668 | 669 |
| | | 670 | 671 | 672 | 673 | 674 | 675 |
| | | 676 | 677 | 678 | 679 | 680 | 681 |
| | | 682 | 683 | 684 | 685 | 686 | 687 |
| | | 688 | 689 | 690 | 691 | 692 | 693 |
| | | 694 | 695 | 696 | 697 | 698 | 699 |
| | | 700 | 701 | 702 | 703 | 704 | 705 |
| | | 706 | 707 | 708 | 709 | 710 | 711 |
| | | 712 | 713 | 714 | 715 | 716 | 717 |
| | | 718 | 719 | 720 | 721 | 722 | 723 |
| | | 724 | 725 | 726 | 727 | 728 | 729 |
| | | 730 | 731 | 732 | 733 | 734 | 735 |
| | | 736 | 737 | 738 | 739 | 740 | 741 |
| | | 742 | 743 | 744 | 745 | 746 | 747 |
| | | 748 | 749 | 750 | 751 | 752 | 753 |
| | | 754 | 755 | 756 | 757 | 758 | 759 |
| | | 760 | 761 | 762 | 763 | 764 | 765 |
| | | 766 | 767 | 768 | 769 | 770 | 771 |
| | | 772 | 773 | 774 | 775 | 776 | 777 |
| | | 778 | 779 | 780 | 781 | 782 | 783 |
| | | 784 | 785 | 786 | 787 | 788 | 789 |
| | | 790 | 791 | 792 | 793 | 794 | 795 |
| | | 796 | 797 | 798 | 799 | 800 | 801 |
| | | 802 | 803 | 804 | 805 | 806 | 807 |
| | | 808 | 809 | 810 | 811 | 812 | 813 |
| | | 814 | 815 | 816 | 817 | 818 | 819 |
| | | 820 | 821 | 822 | 823 | 824 | 825 |
| | | 826 | 827 | 828 | 829 | 830 | 831 |
| | | 832 | 833 | 834 | 835 | 836 | 837 |
| | | 838 | 839 | 840 | 841 | 842 | 843 |
| | | 844 | 845 | 846 | 847 | 848 | 849 |
| | | 850 | 851 | 852 | 853 | 854 | 855 |
| | | 856 | 857 | 858 | 859 | 860 | 861 |
| | | 862 | 863 | 864 | 865 | 866 | 867 |
| | | 868 | 869 | 870 | 871 | 872 | 873 |
| | | 874 | 875 | 876 | 877 | 878 | 879 |
| | | 880 | 881 | 882 | 883 | 884 | 885 |
| | | 886 | 887 | 888 | 889 | 890 | 891 |
| | | 892 | 893 | 894 | 895 | 896 | 897 |
| | | 898 | 899 | 900 | 901 | 902 | 903 |
| | | 904 | 905 | 906 | 907 | 908 | 909 |
| | | 910 | 911 | 912 | 913 | 914 | 915 |
| | | 916 | 917 | 918 | 919 | 920 | 921 |
| | | 922 | 923 | 924 | 925 | 926 | 927 |
| | | 928 | 929 | 930 | 931 | 932 | 933 |
| | | 934 | 935 | 936 | 937 | 938 | 939 |
| | | 940 | 941 | 942 | 943 | 944 | 945 |
| | | 946 | 947 | 948 | 949 | 950 | 951 |
| | | 952 | 953 | 954 | 955 | 956 | 957 |
| | | 958 | 959 | 960 | 961 | 962 | 963 |
| | | 964 | 965 | 966 | 967 | 968 | 969 |
| | | 970 | 971 | 972 | 973 | 974 | 975 |
| | | 976 | 977 | 978 | 979 | 980 | 981 |
| | | 982 | 983 | 984 | 985 | 986 | 987 |
| | | 988 | 989 | 990 | 991 | 992 | 993 |
| | | 994 | 995 | 996 | 997 | 998 | 999 |
| | | 1000 | 1001 | 1002 | 1003 | 1004 | 1005 |
| | | 1006 | 1007 | 1008 | 1009 | 1010 | 1011 |
| | | 1012 | 1013 | 1014 | 1015 | 1016 | 1017 |
| | | 1018 | 1019 | 1020 | 1021 | 1022 | 1023 |
| | | 1024 | 1025 | 1026 | 1027 | 1028 | 1029 |
| | | 1030 | 1031 | 1032 | 1033 | 1034 | 1035 |
| | | 1036 | | | | | |




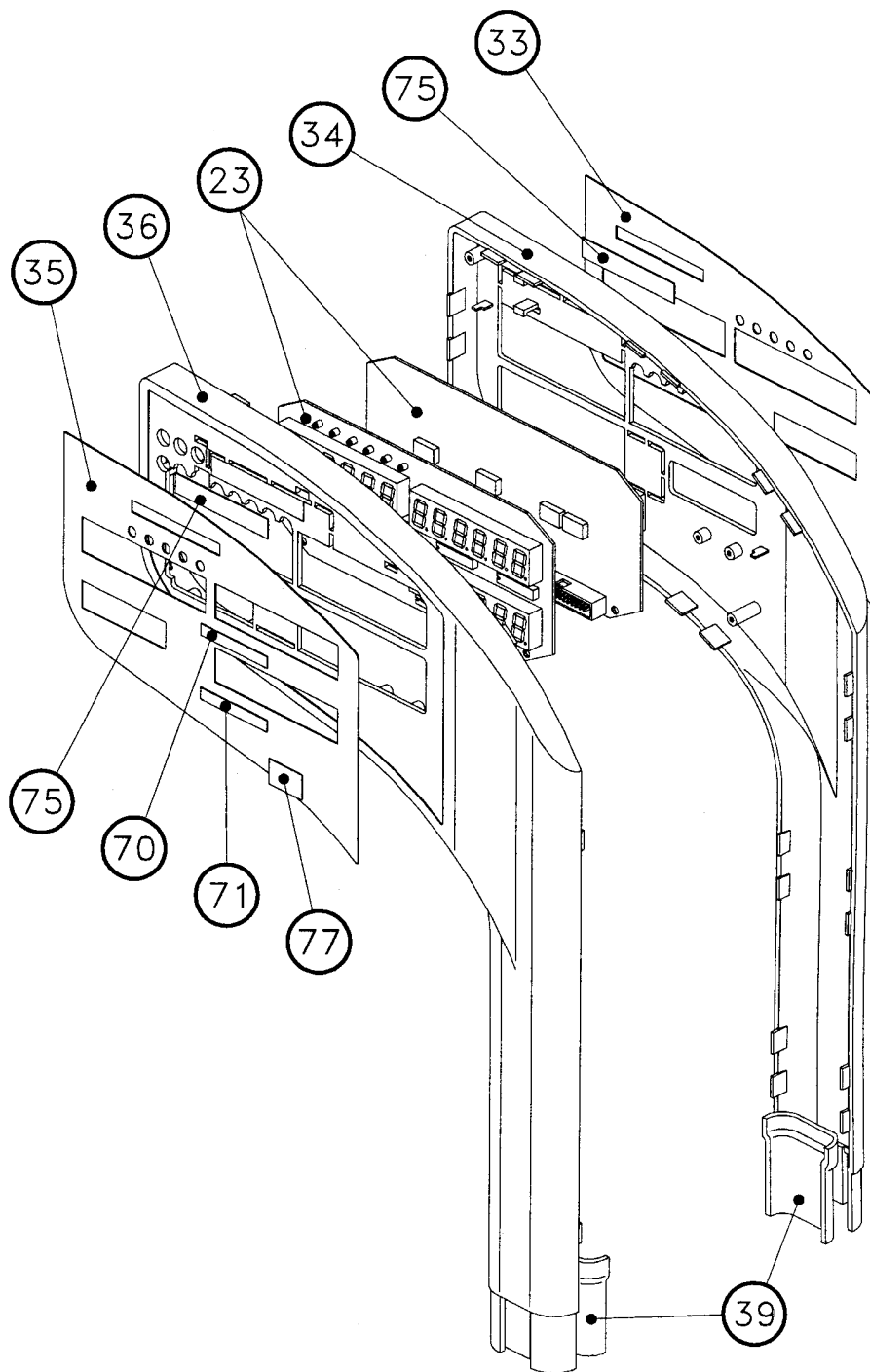
| | | | | | | |
|-----------------------|---------|----------|--|---------|----------|-----------------|
| MODELO BASIC LABEL | | | DENOMINACION CONJUNTO EN EXPLOSION LADO VENDEDOR | | | |
| MODIFICADO | FECHA | NOMBRE | CREADO | FECHA | NOMBRE | ESCALA CONV. |
| DIBUJADO | 18-3-01 | L. Durán | DIBUJADO | 16-3-99 | L. Durán | |
| REVISADO | 18-3-01 | L. Albes | REVISADO | 16-3-99 | L. Albes | |
| VALIDEZ | | |  | | | Nº PLANO |
| 10 | 11 | 12 | | | | 13 |




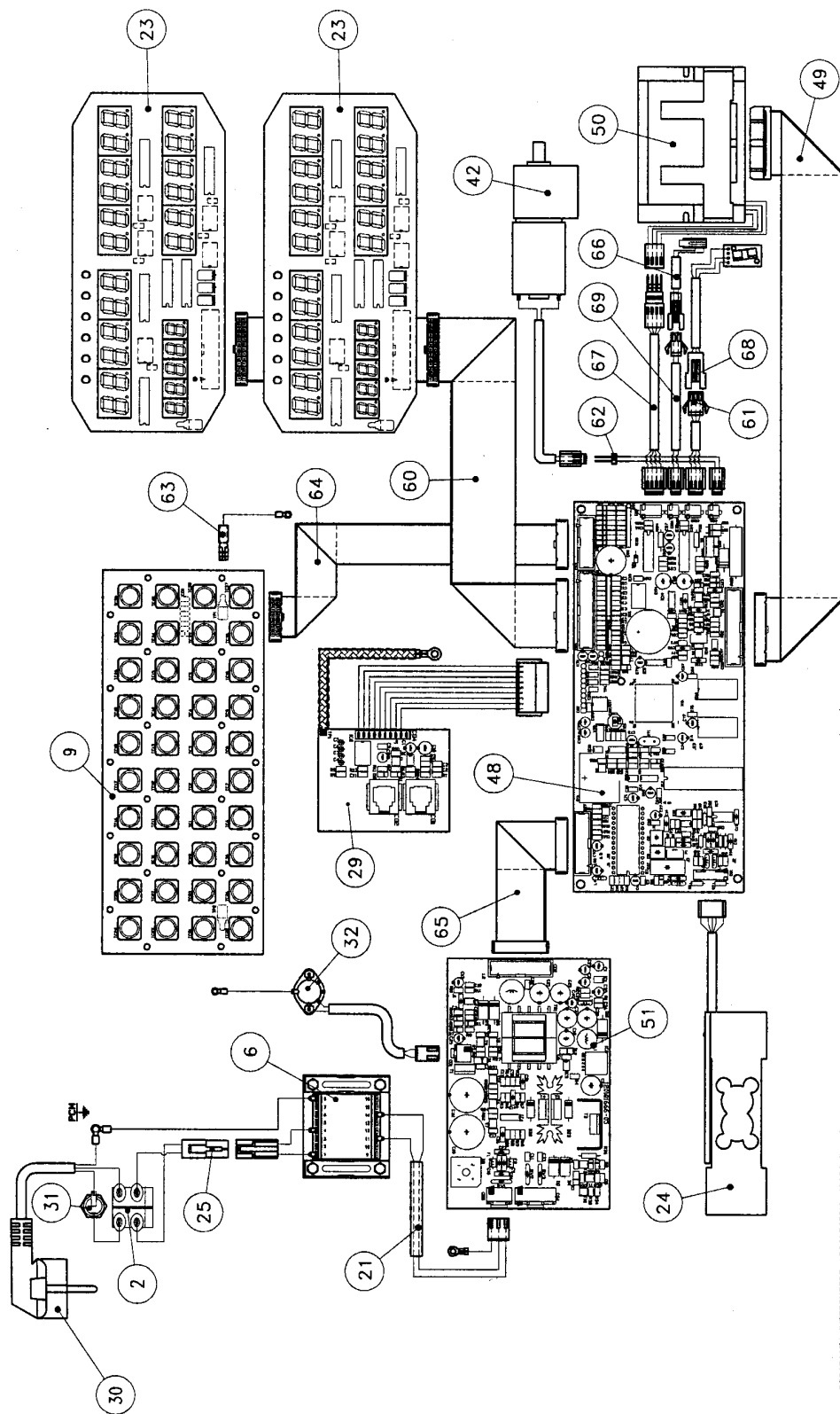
| | | | | | | | | | | | | | | | | | | | | | |
|--|---------|----------|--|---------|----------|-----------------|----|----|----|---|---|----|----|----|----|----|----|----|----|----|------|
| MODELO BASIC LABEL | | | DENOMINACION CONJUNTO EN EXPLOSION LADO COMPRADOR | | | | | | | | | | | | | | | | | | |
| MODIFICADO | FECHA | NOMBRE | CREADO | FECHA | NOMBRE | ESCALA CONV. | | | | | | | | | | | | | | | |
| DIBUJADO | 18-3-01 | L. Durán | DIBUJADO | 16-3-99 | L. Durán | | | | | | | | | | | | | | | | |
| REVISADO | 18-3-01 | L. Albes | REVISADO | 16-3-99 | L. Albes | | | | | | | | | | | | | | | | |
| /ALIDEZ | | |  | | | No PLANO | | | | | | | | | | | | | | | |
| <table border="1"> <tr> <td>3</td><td>4</td><td>5</td><td>6</td><td>7</td><td>8</td><td>9</td> </tr> <tr> <td>0</td><td>11</td><td>12</td><td>13</td><td>14</td><td>15</td><td>16</td><td>17</td><td>18</td><td>19</td> </tr> </table> | 3 | 4 | | | | 5 | 6 | 7 | 8 | 9 | 0 | 11 | 12 | 13 | 14 | 15 | 16 | 17 | 18 | 19 | REF. |
| 3 | 4 | 5 | 6 | 7 | 8 | 9 | | | | | | | | | | | | | | | |
| 0 | 11 | 12 | 13 | 14 | 15 | 16 | 17 | 18 | 19 | | | | | | | | | | | | |



| | | | | | | |
|-------------------------------------|--------------------------|--------------------------|--|--------------------------|--------------------------|--------------------------|
| MODELO BASIC LABEL | | | DENOMINACION DETALLE EN EXPLOSION OPCION RS485 | | | |
| MODIFICADO | FECHA | NOMBRE | CREADO | FECHA | NOMBRE | ESCALA CONV. |
| DIBUJADO | | | DIBUJADO | 28-05-01 | S.PEREZ | |
| REVISADO | | | REVISADO | 28-05-01 | L.ALBES | |
| VALIDEZ | | |  | | | No PLANO |
| <input checked="" type="checkbox"/> | <input type="checkbox"/> | <input type="checkbox"/> | | | | <input type="checkbox"/> |
| <input type="checkbox"/> | <input type="checkbox"/> | <input type="checkbox"/> | <input type="checkbox"/> | <input type="checkbox"/> | <input type="checkbox"/> | <input type="checkbox"/> |
| <input type="checkbox"/> | <input type="checkbox"/> | <input type="checkbox"/> | <input type="checkbox"/> | <input type="checkbox"/> | <input type="checkbox"/> | <input type="checkbox"/> |



| | | | | | | | | | | | | | |
|-------------------------------------|-------------------------------------|-------------------------------------|--|---------|----------|-----------------|----|----|----|----|----|----|--------------|
| MODELO BASIC V.E. LEDS | | | DENOMINACION CONJUNTO EN EXPLOSION DOBLE V.E. STICKT CE C/TARA | | | | | | | | | | |
| MODIFICADO | FECHA | NOMBRE | CREADO | FECHA | NOMBRE | ESCALA CONV. | | | | | | | |
| DIBUJADO | 8-11-99 | L. Durán | DIBUJADO | 17-3-99 | L. Durán | | | | | | | | |
| REVISADO | 8-11-99 | L. Albes | REVISADO | 17-3-99 | L. Albes | | | | | | | | |
| VALIDEZ | | |  | | | No PLANO | | | | | | | |
| <input checked="" type="checkbox"/> | <input checked="" type="checkbox"/> | <input checked="" type="checkbox"/> | | | | 2 | 3 | 4 | 5 | 6 | 7 | 8 | 9 |
| 10 | 11 | 12 | | | | 13 | 14 | 15 | 16 | 17 | 18 | 19 | REF. 1210292 |



- 2.- 200101174 INTERRUPTOR ARCOLECTRICO H9650VB AAG
- 6.- 140101581 TRAF0 581 ACOPRAZADO F.A.C. 220/240 V-13 (55W)
- 9.- 50030251 BOJONERA 40 T BASIC LABEL (L633)
- 11.- 500401212 DISPLAY LED STICK B / PRINT F.A.C. (L650)
- 23.- 500401212 DISPLAY LED STICK B / PRINT F.A.C. (L650)
- 24.- 270102310 CELULA DE CARGA MB-N 10kg (CABLE 330mm)
- 24.- 270102315 CELULA DE CARGA MB-N 15kg (CABLE 330mm)
- 24.- 270102330 CELULA DE CARGA MB-N 30kg (CABLE 330mm)
- 25.- 500101958 MANGUERA ALIMENTACION TRAF0 CBASIC
- 25.- 500101958 MANGUERA ALIMENTACION TRAF0 CBASIC
- 30.- 500202030 CONJUNTO CABLE RED BASIC RK-10 (994)
- 31.- 500101706 CONJUNTO PORTAFUSIBLES BASIC RK-10
- 32.- 500101708 MANGUERA 2C. SALIDA CAJON BASIC RK-10
- 42.- 623600996 C.JTO. MOTORREDUCTOR CON SOPORTE BASIC LABEL
- 48.- 500501184 LOGICA BASIC LABEL F.A.C. R=1:1 (L632)

- 48.- 500501186 LOGICA BASIC LABEL F.A.C. R=6:10 (L632)
- 49.- 500101019 MANGUERA 26C. ALIMENTACION ONH-12
- 50.- 623600281 C.JTO. MOTORREDUCTOR CON SOPORTE BASIC LABEL
- 60.- 500101856 MANGUERA 57 T/10000 BASIC LABEL
- 61.- 500101879 MANGUERA 2C. ALARGO MOTOR REBOBINADOR LABEL
- 62.- 500101881 MANGUERA 2C. ALARGO MOTOR REBOBINADOR LABEL
- 63.- 500101654 CABLE MASA TRENZADO CON FASTON 2.8 (150mm)
- 64.- 500101273 MANGUERA 16C DISPLAY-TECLADO (P/B)
- 65.- 500101875 MANGUERA 2C. DETECCION ALZA CAJONAL BASIC LABEL
- 66.- 500101875 MANGUERA 2C. DETECCION ALZA CAJONAL BASIC LABEL
- 67.- 500101878 MANGUERA 4C. ALARGO MOTOR BASIC LABEL
- 68.- 500801189 DETECTOR ETIQUETADORA BASIC LABEL (L698)
- 69.- 500101880 MANGUERA 2C. ALARGO DETECCION ALZA CAJONAL

| MODELO | | DENOMINACION | | | | | | | |
|-------------------|----------|----------------------------|----------|----------|--------|----|----|----|----|
| BASIC LABEL STICK | | ESQUEMA DE INTERCONEXIONES | | | | | | | |
| MODIFICADO | FECHA | CREADO | FECHA | NOMBRE | ESCALA | | | | |
| DIBUJADO | 19-9-01 | DIBUJADO | 18-03-99 | L. Durán | COTV. | | | | |
| REVISADO | 19-9-01 | REVISADO | 18-03-99 | L. Aldas | | | | | |
| VALIDEZ | NO PLANO | | | | | | | | |
| 10 | 11 | 12 | 13 | 14 | 15 | 16 | 17 | 18 | 19 |
| 4 | 5 | 6 | 7 | 8 | 9 | | | | |


Campesa s.a.

REF. 1180420

| Pos. | Referencia | Denominación | Cant. |
|------|------------|---|-------|
| 1 | 607602220 | TAPETA PRECINTO BASIC | 2 |
| 2 | 200101174 | INTERRUPTOR ARCOLECTRIC H8650VB AAG | 1 |
| 3 | 606457500 | PIE G.M. | 4 |
| 4 | 610600300 | PLACA BASIC (CELULA MB-N) | 1 |
| 5 | 607603170 | BASE BASIC LABEL | 1 |
| 6 | 140101591 | TRAFO 591 ACORAZADO F.A.C. 220/240V-13V (55W) | 1 |
| 7 | 607602560 | NIVEL D15 (15x8) R330 | 1 |
| 8 | 627602232 | ETIQUETA COLOCACION DEL ROLLO BASIC LABEL | 1 |
| 9 | 500308251 | BOTONERA 40 T BASIC LABEL (L633) | 1 |
| 10 | 607603650 | CAJA ETIQUETADORA BASIC (GRIS N-0098) | 1 |
| 11 | 607603800 | ARRANQUE ETIQUETAS BASIC LABEL | 1 |
| 12 | 320101369 | TECLADO AZUL 2000 BASIC LABEL (D/4) | 1 |
| 13 | 627602288 | ETIQUETA MODELO BASIC LABEL 2000 | 1 |
| 14 | 627602231 | ETIQUETA TIPO DE PAPEL BASIC LABEL | 1 |
| 15 | 609600090 | ARAÑA(PARA CELULA MB-N) BASIC | 1 |
| 16 | 607603690 | TAPA ROLLO ETIQUETAS BASIC (GRIS N-0098) | 1 |
| 17 | 616600410 | PLATO BASIC | 1 |
| 18 | 627602281 | ETIQUETA MARCA DINA BASIC 2000 | 1 |
| 18 | 627602282 | ETIQUETA MARCA MICRA BASIC 2000 | 1 |
| 18 | 627602283 | ETIQUETA MARCA ARISO BASIC 2000 | 1 |
| 18 | 627602284 | ETIQUETA MARCA DEFOR BASIC 2000 | 1 |
| 18 | 627602285 | ETIQUETA MARCA PIBERNAT BASIC 2000 | 1 |
| 19 | 607602500 | BARANDILLA BASIC (VERDE MICRA) | 1 |
| 20 | 606600320 | TOPE AMORTIGUACION PLATO BASIC | 4 |
| 21 | 500101853 | MANGUERA 3C. TRAFO A F.A.C. BASIC PRINT | 1 |
| 22 | 607603680 | TAPETA HUECO COLUMNAS BASIC (GRIS N-0098) | 1 |
| 23 | 500401212 | DISPLAY LED STICK B/PRINT F.A.C. (L650) | 2 |
| 24 | 270102310 | CELULA DE CARGA MB-N 10Kg (CABLE 330mm) | 1 |
| 24 | 270102315 | CELULA DE CARGA MB-N 15Kg (CABLE 330mm) | 1 |
| 24 | 270102330 | CELULA DE CARGA MB-N 30Kg (CABLE 330 mm) | 1 |
| 25 | 500101898 | MANGUERA ALIMENTACION TRAFO CBASIC | 1 |
| 26 | 621604167 | TAPETA CARACTERISTICAS 6Kg BASIC LABEL CE | 1 |
| 26 | 621604168 | TAPETA CARACTERISTICAS 15Kg BASIC LABEL CE | 1 |
| 26 | 621604169 | TAPETA CARACTERISTICAS 30Kg BASIC LABEL CE | 1 |
| 27 | 627600800 | ETIQUETA PROTECC. 110 x 15 ACETATO TRANSPARENTE | 1 |
| 28 | 607602190 | TAPA PORTAPILAS BASIC (VERDE MICRA) | 1 |
| 29 | 500801221 | COMUNICACION RS485 (MODULO) ECO (694) | 1 |
| 30 | 500202030 | CONJUNTO CABLE RED BASIC RK-10 | 1 |
| 31 | 500101706 | CJTO. PORTAFUSIBLES BASIC RK-10 | 1 |
| 32 | 500101708 | MANGUERA 2C. SALIDA CAJON BASIC RK-10 | 1 |
| 33 | 320103124 | CARTA LEXAN COMP C/T V.E AZUL 2000 BASIC RK10 | 1 |
| 34 | 607603730 | COLUMNA VISOR COMPRADOR BASIC STICK(GRISN0098) | 1 |
| 35 | 320103123 | CARTA LEXAN VENDEDOR V.E LEDS AZUL 2000 BASIC | 1 |
| 36 | 607603740 | COLUMNA VISOR VENDEDOR BASIC STICK(GRISN0098) | 1 |
| 39 | 606600390 | ESPUMA AUTOADHESIVA GRIS 50 x 50 x 3 BASIC | 2 |
| 41 | 607601780 | RODILLO ADAPTADOR PLUS-20 | 1 |
| 42 | 623603096 | CJTO. MOTORREDUCTOR CON SOPORTE BASIC LABEL | 1 |
| 43 | 200101189 | MOTORREDUCTOR K14/2841/24 Vcc/REL.41:1 | 1 |
| 44 | 607602800 | SOPORTE MOTOR BASIC LABEL | 1 |
| 45 | 607602810 | ACOPLAMIENTO MOTOR BASIC LABEL | 1 |

| | | | | | | | | | | | | |
|-----------------------------|----------|----------|--|----------|---------|-----------------|----|----|----|----|----|----|
| MODELO BASIC LABEL STICK | | | DENOMINACIÓN LISTADO REFERENCIAS | | | | | | | | | |
| MODIFICADO | FECHA | NOMBRE | CREADO | FECHA | NOMBRE | ESCALA conv. | | | | | | |
| DIBUJADO | 19-09-01 | L. Durán | DIBUJADO | 30-05-01 | S.PEREZ | | | | | | | |
| REVISADO | 19-09-01 | L. Albes | REVISADO | 30-05-01 | L.ALBES | | | | | | | |
| VALIDEZ | | |  | | | N° PLANO | | | | | | |
| X | X | 2 | | | | 3 | 4 | 5 | 6 | 7 | 8 | 9 |
| 10 | 11 | 12 | | | | 13 | 14 | 15 | 16 | 17 | 18 | 19 |
| | | | | | | I35M0443 | | | | | | |

| Pos. | Referencia | Denominación | Cant. |
|------|------------|--|-------|
| 46 | 607602320 | DISCO REBOBINADOR BASIC LABEL | 1 |
| 47 | 607602310 | RODILLO REBOBINADOR BASIC LABEL | 1 |
| 48 | 500501184 | LOGICA BASIC LABEL F.A.C. R=1:1 (L632) | 1 |
| 48 | 500501186 | LOGICA BASIC LABEL F.A.C. R=6:10 (L632) | 1 |
| 49 | 500101019 | MANGUERA 26 C. ALIMENTACION ONIX-12 | 1 |
| 50 | 623603291 | CJTO. IMPRESORA AXIOHM BASIC LABEL | 1 |
| 51 | 500601081 | F.A.C. BASICS S/BAT (L666) | 1 |
| 52 | 607603750 | CARTA LADO COMPRADOR BASIC (GRIS N-0098) | 1 |
| 53 | 607601190 | RODILLO GUIA PAPEL ETI-2 | 1 |
| 54 | 614602140 | EJE RODILLO GUIA PAPEL BASIC LABEL | 1 |
| 55 | 607602170 | SOPORTE ETIQUETADORA BASIC | 1 |
| 56 | 607603720 | TAPA ETIQUETADORA BASIC (GRIS N-0098) | 1 |
| 57 | 607602940 | CUCHILLA BASIC LABEL | 1 |
| 58 | 607602210 | EJE ROLLO PAPEL BASIC | 1 |
| 59 | 330101097 | ROLLO ETIQUETAS TERMICAS 58x76 | 1 |
| 60 | 500101856 | MANGUERA 26C. DISPLAY V.E. BASIC LABEL | 1 |
| 61 | 500101879 | MANGUERA 3C. ALARGO DETECTOR BASIC LABEL | 1 |
| 62 | 500101881 | MANGUERA 2C. ALARGO MOTOR REBOBINADOR LABEL | 1 |
| 63 | 500101634 | CABLE MASA TRENZADO CON FASTON 2,8 (150mm) | 1 |
| 64 | 500101273 | MANGUERA 16C DISPLAY-TECLADO (PPB) | 1 |
| 65 | 500101798 | MANGUERA 20C. FAL-CPU BASIC PRINT | 1 |
| 66 | 500101875 | MANGUERA DETECCION ALZA CABEZAL BASIC LABEL | 1 |
| 67 | 500101878 | MANGUERA 4C. ALARGO MOTOR BASIC LABEL | 1 |
| 68 | 500801189 | DETECTOR ETIQUETADORA BASIC LABEL (L698) | 1 |
| 69 | 500101880 | MANGUERA 2C. ALARGO DETECCION ALZA CABEZAL | 1 |
| 70 | | ETIQUETA MONEDA/kg BASIC | 2 |
| | | (Ver pautas de control país correspondiente) | |
| 70 | | ÉTIQUETTE DE MONNAIE/kg BASIC | 2 |
| | | (Voir norme de contrôle du pays correspondant) | |
| 70 | | CURRENCY LABEL/kg BASIC | 2 |
| | | (See control mark of the corresponding country) | |
| 70 | | WÄHRUNGSETIKETT/kg BASIC | 2 |
| | | (Siehe landesspezifische Kontrollverfahren) | |
| 70 | | ETICHETTA DELLA MONETA/kg BASIC | 2 |
| | | (Vedere le regole di controllo del paese corrispondente) | |
| 71 | | ETIQUETA MONEDA BASIC | 2 |
| | | (Ver pautas de control país correspondiente) | |
| 71 | | ÉTIQUETTE DE MONNAIE BASIC | 2 |
| | | (Voir norme de contrôle du pays correspondant) | |
| 71 | | CURRENCY LABEL BASIC | 2 |
| | | (See control mark of the corresponding country) | |
| 71 | | WÄHRUNGSETIKETT BASIC | 2 |
| | | (Siehe landesspezifische Kontrollverfahren) | |
| 71 | | ETICHETTA DELLA MONETA | 2 |
| | | (Vedere le regole di controllo del paese corrispondente) | |
| 74 | 627602402 | ETIQ.CARACT.ELECTRICAS 220-240V/0,3A/1A LABEL | 1 |
| 75 | 627602295 | ETIQUETA CARACTERISTICAS AZUL 2000 6Kg BASIC | 2 |
| 75 | 627602296 | ETIQUETA CARACTERISTICAS AZUL 2000 15Kg BASIC | 2 |
| 75 | 627602297 | ETIQUETA CARACTERISTICAS AZUL 2000 30Kg BASIC | 2 |
| 77 | 627601760 | ETIQUETA GRUPO CAMPESA BASIC | 1 |


| MODELO | | DENOMINACIÓN | | | | | | | | | | | |
|-------------------------------------|-------------------------------------|---------------------|----------|----------|---------|----------|----|----|----|--|--|----------|--|
| BASIC LABEL STICK | | LISTADO REFERENCIAS | | | | | | | | | | | |
| MODIFICADO | FECHA | NOMBRE | CREADO | FECHA | NOMBRE | ESCALA | | | | | | | |
| DIBUJADO | 19-09-01 | L. Durán | DIBUJADO | 30-05-01 | S.PEREZ | conv. | | | | | | | |
| REVISADO | 19-09-01 | L. Albes | REVISADO | 30-05-01 | L.ALBES | | | | | | | | |
| VALIDEZ | | | | | | Nº PLANO | | | | | | | |
| <input checked="" type="checkbox"/> | <input checked="" type="checkbox"/> | 2 | 3 | 4 | 5 | 6 | 7 | 8 | 9 |  | | I35M0443 | |
| 10 | 11 | 12 | 13 | 14 | 15 | 16 | 17 | 18 | 19 | | | | |

| Pos. | Referencia | Denominación | Cant. |
|------|------------|--|-------|
| 79 | 607602920 | TAPETA NIVEL BASIC LABEL | 1 |
| 80 | 607602960 | GUIA INFERIOR ENTRADA ETIQUETA BASIC LABEL | 1 |
| 81 | 607603070 | GUIA SUPERIOR ENTRADA ETIQUETA BASIC LABEL | 1 |
| 84 | 606600380 | ARANDELA FRENO PIE APOYO BASIC | 4 |
| | 627602397 | ETIQUETA PRECINTO CAMPESA (O1) 40 x 15 BASIC | 2 |
| | 600601392 | TORNILLO A.R. Ø 2,9 x 9,5 C/A DIN-7982 (CINCADO) | 11 |
| | 600705100 | TORNILLO M-4 x 10 C/ALOM. DIN-85 (INOX) | 2 |
| | 611602650 | TAPETA BLOQUEO CABLES COMUNICACION (BASIC) | 1 |
| | 600600480 | TORNILLO M-6 x 20 ALLEN DIN-912 (CINCADO) | 4 |
| | 601902100 | TUERCA M-6 INOX | 1 |
| | 602600090 | ARANDELA GROWER Ø 6mm DIN-127 (CINCADA) | 4 |
| | 600707800 | TORNILLO M-6 x 25 C/EX. DIN-933 (INOX) | 1 |
| | 200101053 | PASACABLES R-5 | 1 |
| | 600005310 | TORNILLO M-4 x 12 C/C DIN-84 (CINCADO) | 5 |
| | 600011200 | TORNILLO M-4 x 8 C/C DIN-84 (CINCADO) | 3 |
| | 600601360 | TORNILLO M-4 x 40 C/PHILLIPS DIN-7985 (CINCADO) | 1 |
| | 600901200 | TORNILLO 2,2 x 5,5 A.R. DIN-7981 | 22 |
| | 602600020 | ARANDELA ADE Ø 4mm DIN-6798 | 9 |
| | 600030710 | TORNILLO M- 3 x 8 C/C DIN-84 (CINCADO) | 1 |
| | 602000410 | ARANDELA ADE Ø 3mm DIN-6798 (PAVONADA) | 9 |
| | 600601380 | TORNILLO M-3 x 6 C/PHILLIPS DIN-966 (CINC.NEGRO) | 2 |
| | 601016110 | TUERCA M-3 DIN 934 CINCADA (LLAVE DE 6mm) | 2 |
| | 602050800 | ARANDELA SEGURIDAD 4 DIN-6799 | 2 |
| | 600016000 | TORNILLO Ø 2,9 x 6,5 A.R. DIN-7981 (CINCADO) | 3 |
| | 220101002 | BRIDA UNEX 2221 | 6 |
| | 604600092 | BASE PARA BRIDA FTH-2A-RT (RICHCO) | 3 |
| | 600601405 | TORNILLO M-3 x 10 C/AL. DIN-7985A (CINC. NEGRO) | 2 |
| | 600601403 | TORNILLO M-3 x 8 C/G.SEBO DIN-966 (CINCADO) | 3 |
| | 600777600 | TORNILLO Ø 2,9 x 9,5 DIN 7981/B (CINCADO) | 8 |
| | 623603291 | CJTO. IMPRESORA AXIOHM BASIC LABEL | 1 |
| | 600347900 | TORNILLO M-4 x 25 C/C DIN-84 (CINCADO) | 4 |
| | 600601730 | TORNILLO M-4 x 25 ALLEN DIN-912 (CINCADO) | 1 |
| | 601005200 | TUERCA M-4 DIN-934 (CINCADA) | 2 |
| | 602052000 | ARANDELA PLANA 4mm DIN-125 (CINCADA) | 1 |
| | 604600094 | SOPORTE C. IMPRESO SRS8-10-01 (RICHCO) | 4 |
| | 604700601 | CLIP TC-30-1 (NEGRO) | 1 |
| | 200101161 | FUSIBLE 1 A TIPO T Ref. 213001. | 1 |
| | 400401040 | CAJA EMBALAJE 500 x 440 x 295 BASIC V.E. | 1 |
| | 400702017 | APOYO PLATO LADO ROLLO ETIQUETAS BASIC | 1 |
| | 400702018 | APOYO PLATO BASIC | 1 |
| | 400702019 | BASE EMBALAJE BASIC | 1 |
| | 400702020 | TAPA INTERMEDIA EMBALAJE BASIC | 1 |
| | 400702021 | TAPA SUPERIOR EMBALAJE BASIC | 1 |
| | 320101333 | TECLADO LEXAN PROGRAMACION BASIC LABEL | 1 |
| | 600601412 | TORNILLO M-2 x 14 C/AVELL. DIN-963 A (CINCADO) | 2 |
| | 600601400 | TORNILLO M-2 x 10 C/A DIN-963 (CINCADO) | 2 |
| | 601006000 | TUERCA M-2 (CINCADA) | 2 |
| | 602600210 | ARANDELA SEGURIDAD PARA EJES Ø 3,2 DIN-6799 | 1 |
| | 607602680 | SOPORTE CIRCUITO DETECTOR BASIC LABEL | 1 |
| | 607603780 | SOPORTE EJE LEVA LADO IZQUIERDO BASIC LABEL | 1 |

| MODELO BASIC LABEL STICK | | | DENOMINACIÓN LISTADO REFERENCIAS | | | |
|-----------------------------|----------|-------------------------|--|----------|---------|-----------------|
| MODIFICADO | FECHA | NOMBRE | CREADO | FECHA | NOMBRE | ESCALA conv. |
| DIBUJADO | 19-09-01 | L. Durán | DIBUJADO | 30-05-01 | S.PEREZ | |
| REVISADO | 19-09-01 | L. Albes | REVISADO | 30-05-01 | L.ALBES | |
| VALIDEZ | | |  | | | Nº PLANO |
| X | X | 2 3 4 5 6 7 8 9 | | | | I35M0443 |
| 10 | 11 | 12 13 14 15 16 17 18 19 | | | | |


Referencias

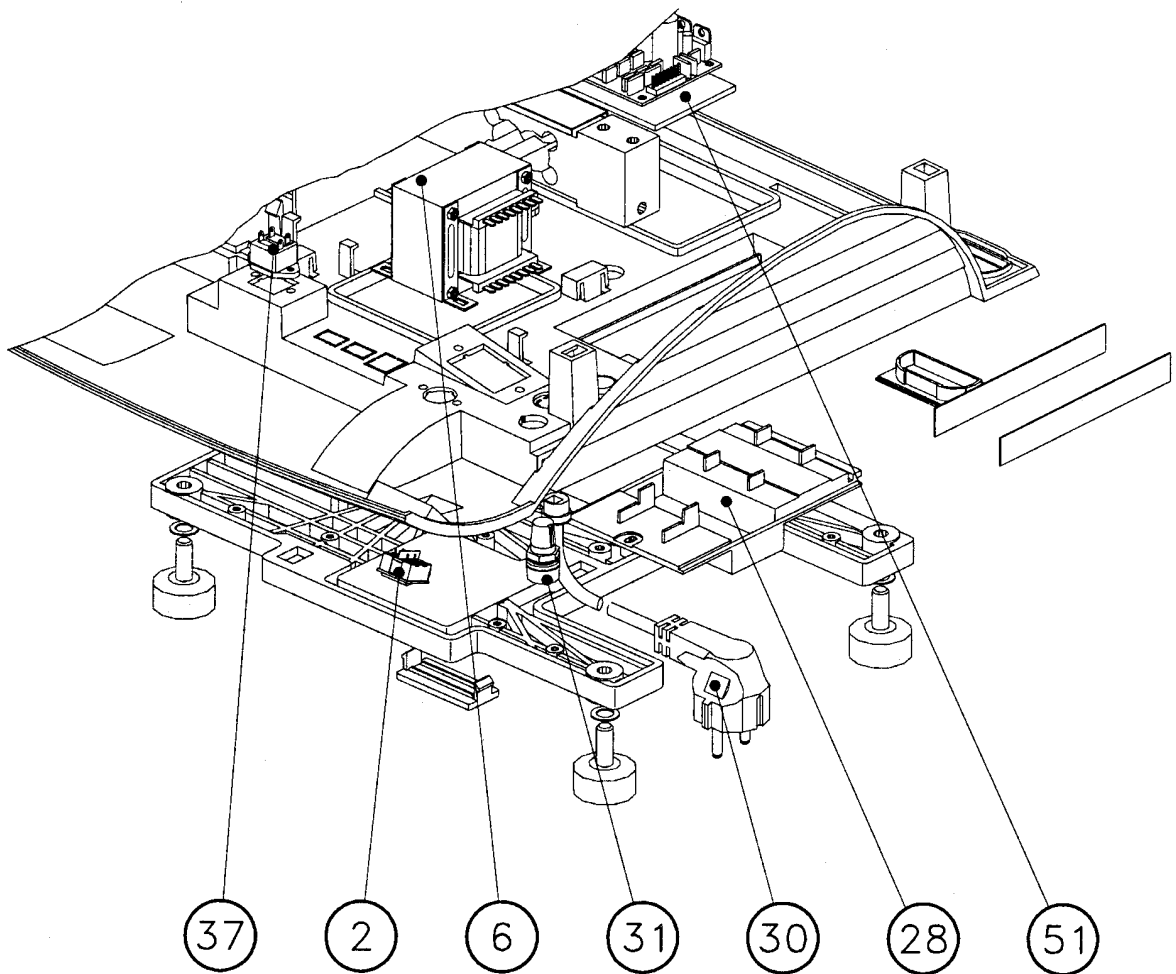
| Pos. | Referencia | Denominación | Cant. |
|------|------------|---|-------|
| | 607603760 | CJTO EJE LEVA Y PALANCA ALZA CAB. BASIC LABEL | 1 |
| | 607603770 | SOPORTE EJE LEVA LADO DERECHO BASIC LABEL | 1 |
| | 607603790 | ALOJAMIENTO EJE LEVA BASIC LABEL | 1 |
| | 627602229 | ETIQUETA FLECHAS CABEZAL BASIC LABEL | 1 |
| | 627602230 | ETIQUETA CAUTION HOT BASIC LABEL | 1 |
| | 605600160 | TUBO TERMORETRACTIL 1/8 BLKS | 0,02 |
| | 600056200 | TORNILLO M-3 x 10 C/C DIN-84 (CINCADO) | 1 |
| | 500101676 | MANGUERA 2C 165mm AUTONOMA V.E. | 1 |


| MODELO | | DENOMINACIÓN | | | | | | | |
|-------------------------------------|-------------------------------------|---------------------|--|----------|---------|----------|----|----|----|
| BASIC LABEL STICK | | LISTADO REFERENCIAS | | | | | | | |
| MODIFICADO | FECHA | NOMBRE | CREADO | FECHA | NOMBRE | ESCALA | | | |
| DIBUJADO | 19-09-01 | L. Durán | DIBUJADO | 30-05-01 | S.PEREZ | conv. | | | |
| REVISADO | 19-09-01 | L. Albes | REVISADO | 30-05-01 | L.ALBES | | | | |
| VALIDEZ | | |  | | | N° PLANO | | | |
| <input checked="" type="checkbox"/> | <input checked="" type="checkbox"/> | | | | | I35M0443 | | | |
| 2 | 3 | 4 | | | | 5 | 6 | 7 | 8 |
| 10 | 11 | 12 | 13 | 14 | 15 | 16 | 17 | 18 | 19 |

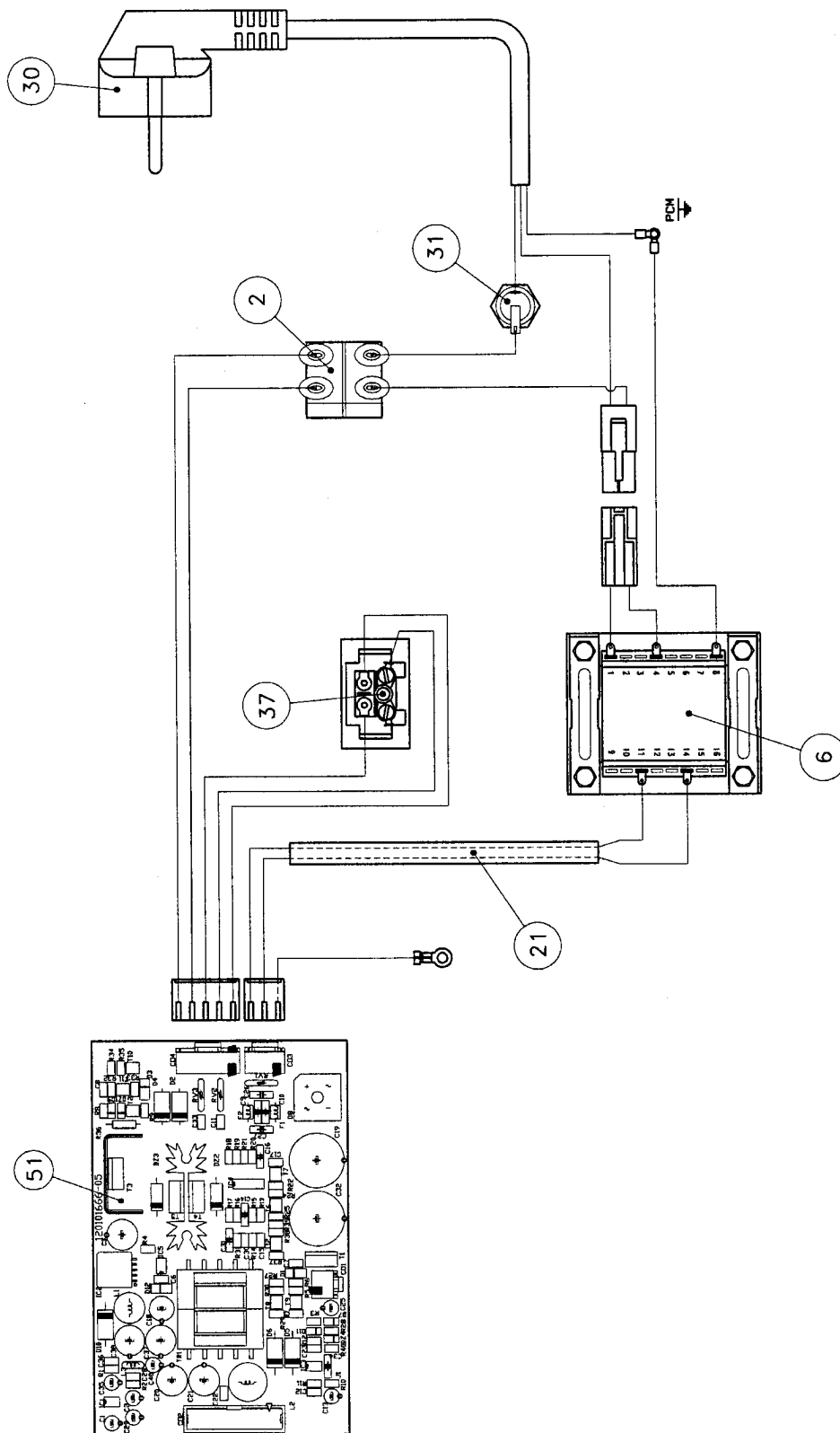
4

OPCION BE

| | | | | | | | | | | | |
|-------------------------------------|-------|---------------------|----|----------|---------|----------|----|--------|----|--|----------|
| MODELO | | DENOMINACIÓN | | | | | | | | | |
| BASIC | | SEPARADOR OPCION BE | | | | | | | | | |
| MODIFICADO | FECHA | NOMBRE | | CREADO | FECHA | NOMBRE | | ESCALA | | | |
| DIBUJADO | | | | DIBUJADO | 30-6-99 | L. Durán | | conv. | | | |
| REVISADO | | | | REVISADO | 30-6-99 | L. Albes | | | | | |
| VALIDEZ | | | | | | | | | | | Nº PLANO |
| <input checked="" type="checkbox"/> | 1 | 2 | 3 | 4 | 5 | 6 | 7 | 8 | 9 |  | 1990182 |
| 10 | 11 | 12 | 13 | 14 | 15 | 16 | 17 | 18 | 19 | | |



| | | | | | | | | | | | | |
|-------------------------------------|-------|--------|--|----------|---------|-----------------|----|----|----|----|----|----|
| MODELO BASIC LABEL | | | DENOMINACION DETALLE EN EXPLOSION OPCION BE | | | | | | | | | |
| MODIFICADO | FECHA | NOMBRE | CREADO | FECHA | NOMBRE | ESCALA CONV. | | | | | | |
| DIBUJADO | | | DIBUJADO | 23-04-01 | S.PEREZ | | | | | | | |
| REVISADO | | | REVISADO | 23-04-01 | L.ALBES | | | | | | | |
| VALIDEZ | | |  | | | NO PLANO | | | | | | |
| <input checked="" type="checkbox"/> | 1 | 2 | | | | 3 | 4 | 5 | 6 | 7 | 8 | 9 |
| | 10 | 11 | | | | 12 | 13 | 14 | 15 | 16 | 17 | 18 |
| | | | | | | REF. 1210426 | | | | | | |



- 2.- 200101174 INTERRUPTOR ARCOLECTRIC H8650VB AAG
- 6.- 140101591 TRAF0 591 ACORAZADO F.A.C 220/240V-13V (55W)
- 21.- 500101853 MANGUERA 3C. TRAF0 A F.A.C. BASIC PRINT
- 30.- 500202033 CONJUNTO CABLE RED CBASIC
- 31.- 500101706 CONJUNTO PORTAFUSIBLES BASIC RK10
- 37.- 500101797 MANGUERA ALIMENTACION BE BASIC RK 10
- 51.- 500601080 F.A.C. BASICS (L666)


| MODELO | | DENOMINACION | | ESQUEMA DE INTERCONEXIONES | | |
|----------------|-------|--------------|----------|----------------------------|--------|----------|
| BASIC LABEL CE | | OPCION BE | | | | |
| MODIFICADO | FECHA | CREADO | FECHA | NOMBRE | ESCALA | |
| | | | 23-04-01 | S.PEREZ | CONV. | |
| DIBUJADO | | DIBUJADO | | L.ALBES | | |
| REVISADO | | REVISADO | 23-04-01 | | | |
| VALIDEZ | | | | | | NO PLANO |
| X | 1 | 2 | 3 | 4 | 5 | 6 |
| | 7 | 8 | 9 | 10 | 11 | 12 |
| | 13 | 14 | 15 | 16 | 17 | 18 |
| | 19 | | | | | |

CampeSA s.a.

REF. 1180630

Referencias

| Pos. | Referencia | Denominación | Cant. |
|------|------------|---|-------|
| 2 | 200101174 | INTERRUPTOR ARCOLECTRIC H8650VB AAG | 1 |
| 6 | 140101591 | TRAFO 591 ACORAZADO F.A.C. 220/240V-13V (55W) | 1 |
| 21 | 500101853 | MANGUERA 3C. TRAFO A F.A.C. BASIC PRINT | 1 |
| 28 | 607602190 | TAPA PORTAPILAS BASIC (VERDE MICRA) | 1 |
| 30 | 500202033 | CONJUNTO CABLE RED CBASIC | 1 |
| 31 | 500101706 | CJTO. PORTAFUSIBLES BASIC RK-10 | 1 |
| 37 | 500101797 | MANGUERA ALIMENTACION BE BASIC RK 10 | 1 |
| 51 | 500601080 | F.A.C. BASICS (L666) | 1 |
| | 623807200 | CONJ. CABLE BATERIA EXTERNA | 1 |
| | 627602403 | ETIQUETA BATERIA EXTERNA BASIC | 1 |

| | | | | | | | | | | | | | | | | |
|---|-------|----|--------|----|----|----|----|----|----------|--|----------|--------|--|----------|--|--|
| MODELO BASIC LABEL OPCION BE | | | | | | | | | | DENOMINACIÓN LISTADO REFERENCIAS | | | | | | |
| MODIFICADO | FECHA | | NOMBRE | | | | | | CREADO | FECHA | NOMBRE | ESCALA | | | | |
| DIBUJADO | | | | | | | | | DIBUJADO | 30-05-01 | S.Perez | conv. | | | | |
| REVISADO | | | | | | | | | REVISADO | 30-05-01 | L. Albes | | | | | |
| VALIDEZ | | | | | | | | | |  Campesa S.A. | | | | N° PLANO | | |
| <input checked="" type="checkbox"/> | 1 | 2 | 3 | 4 | 5 | 6 | 7 | 8 | 9 | | | | | I35M0449 | | |
| 10 | 11 | 12 | 13 | 14 | 15 | 16 | 17 | 18 | 19 | | | | | | | |


1

OPCION MULTI-I

| | | | | | | | | | | | | |
|------------|-------|--------------------------|----|----------|---------|----------|----|--------|----|--|----------|---------|
| MODELO | | DENOMINACIÓN | | | | | | | | | | |
| BASIC | | SEPARADOR OPCION MULTI-I | | | | | | | | | | |
| MODIFICADO | FECHA | NOMBRE | | CREADO | FECHA | NOMBRE | | ESCALA | | | | |
| DIBUJADO | | | | DIBUJADO | 27-4-01 | L. Durán | | conv. | | | | |
| REVISADO | | | | REVISADO | 27-4-01 | L. Albes | | | | | | |
| VALIDEZ | | | | | | | | | | | Nº PLANO | |
| ✗ | 1 | 2 | 3 | 4 | 5 | 6 | 7 | 8 | 9 |  | | I990195 |
| 10 | 11 | 12 | 13 | 14 | 15 | 16 | 17 | 18 | 19 | | | |


Referencias

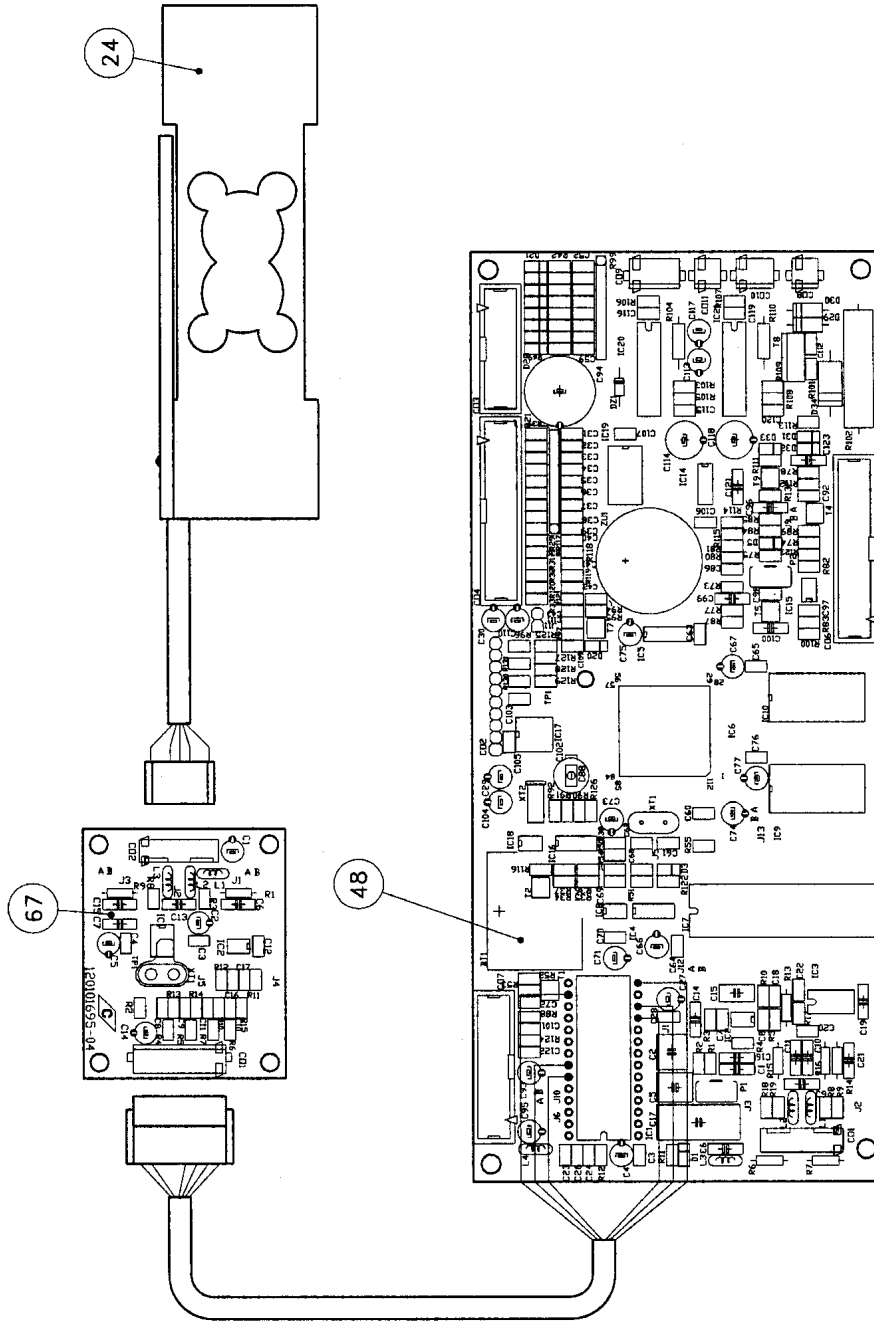
| Pos. | Referencia | Denominación | Cant. |
|------|------------|--|-------|
| 24 | 270103208 | CELULA DE CARGA MB-E 6000 8 kg (CABLE 110 mm) | 1 |
| 24 | 270103025 | CELULA DE CARGA MB-E 6000 15 kg (CABLE 110 mm) | 1 |
| 24 | 270103027 | CELULA DE CARGA MB-E 6000 35 kg (CABLE 110 mm) | 1 |
| 26 | 621604415 | TAPETA CARACTERISTICAS 6 kg BASIC LABEL MI CE | 1 |
| 26 | 621604416 | TAPETA CARACTERISTICAS 15 kg BASIC LABEL MI CE | 1 |
| 26 | 621604417 | TAPETA CARACTERISTICAS 30 kg BASIC LABEL MI CE | 1 |
| 48 | 500501199 | LOGICA BASIC LABEL AD6000 (632) | 1 |
| 67 | 500801121 | CONVERTIDOR AD6000 (695) | 1 |
| 75 | 627602377 | ETIQUETA CARACTERISTICAS AZUL 2000 6kg MI BASIC | 2 |
| 75 | 627602378 | ETIQUETA CARACTERISTICAS AZUL 2000 15kg MI BASIC | 2 |
| 75 | 627602379 | ETIQUETA CARACTERISTICAS AZUL 2000 30kg MI BASIC | 2 |

| | | | | | | | | | |
|---|-------|--------|--|----------|----------|----------------------|----|----|----|
| MODELO BASIC LABEL MULTI-I V.E. STICK CE | | | DENOMINACIÓN LISTADO REFERENCIAS | | | | | | |
| MODIFICADO | FECHA | NOMBRE | CREADO | FECHA | NOMBRE | ESCALA conv. | | | |
| DIBUJADO | | | DIBUJADO | 30-05-01 | S.Perez | | | | |
| REVISADO | | | REVISADO | 30-05-01 | L. Albes | | | | |
| VALIDEZ | | |  | | | N° PLANO 135M0445 | | | |
| <input checked="" type="checkbox"/> | 1 | 2 | | | | 3 | 4 | 5 | 6 |
| 10 | 11 | 12 | 13 | 14 | 15 | 16 | 17 | 18 | 19 |

1

OPCION 6000e

| | | | | | | | | | | | | | |
|-------------------------------------|-------|--------|--|---------|----------|------------------------|----|----|----|----|----|----|---------|
| MODELO BASIC | | | DENOMINACIÓN SEPARADOR OPCION 6000e | | | | | | | | | | |
| MODIFICADO | FECHA | NOMBRE | CREADO | FECHA | NOMBRE | ESCALA conv. | | | | | | | |
| DIBUJADO | | | DIBUJADO | 27-4-01 | L. Durán | | | | | | | | |
| REVISADO | | | REVISADO | 27-4-01 | L. Albes | | | | | | | | |
| VALIDEZ | | |  | | | Nº PLANO | | | | | | | |
| <input checked="" type="checkbox"/> | 1 | 2 | | | | 3 | 4 | 5 | 6 | 7 | 8 | 9 | I990196 |
| 10 | 11 | 12 | | | | 13 | 14 | 15 | 16 | 17 | 18 | 19 | |



| MODELO | | DENOMINACION | | | |
|-------------|-------|--|----------|---------|----------|
| BASIC LABEL | | ESQUEMA INTERCONEXIONES OPCION MI/6000e | | | |
| MODIFICADO | FECHA | CREADO | FECHA | NOMBRE | ESCALA |
| | | DIBUJADO | 24-04-01 | SPEREZ | CONV. |
| | | REVISADO | 24-04-01 | L.ALBES | |
| VALORES | | | | | NO PLANO |
| X 1 | 2 | 3 | 4 | 5 | 6 |
| 10 | 11 | 12 | 13 | 14 | 15 |
| | | | | | 16 |
| | | | | | 17 |
| | | | | | 18 |
| | | | | | 19 |


Campea s.a.

REF. 180631

- 24.- 270103208 CELULA DE CARGA MB-E 6000 8 kg (CABLE 110 mm)
- 24.- 270103025 CELULA DE CARGA MB-E 6000 15 kg (CABLE 110 mm)
- 24.- 270103027 CELULA DE CARGA MB-E 6000 35 kg (CABLE 110 mm)
- 48.- 500501199 LOGICA BASIC LABEL AD6000 (632)
- 67.- 500801121 CONVERTIDOR AD6000 (695)


Referencias

| Pos. | Referencia | Denominación | Cant. |
|------|------------|---|-------|
| 24 | 270103208 | CELULA DE CARGA MB-E 6000 8 kg (CABLE 110 mm) | 1 |
| 24 | 270103025 | CELULA DE CARGA MB-E 6000 15 kg (CABLE 110 mm) | 1 |
| 24 | 270103027 | CELULA DE CARGA MB-E 6000 35 kg (CABLE 110 mm) | 1 |
| 26 | 621604418 | TAPETA CARACTERISTICAS 6 kg BASIC LABEL 6000e (CE) | 1 |
| 26 | 621604419 | TAPETA CARACTERISTICAS 12 kg BASIC LABEL 6000e (CE) | 1 |
| 26 | 621604420 | TAPETA CARACTERISTICAS 30 kg BASIC LABEL 6000e (CE) | 1 |
| 48 | 500501199 | LOGICA BASIC LABEL AD6000 (632) | 1 |
| 67 | 500801121 | CONVERTIDOR AD6000 (695) | 1 |
| 75 | 627602380 | ETIQUETA CARACTERISTICAS AZUL 2000 6kg 6000e BASIC | 2 |
| 75 | 627602381 | ETIQUETA CARACTERISTICAS AZUL 2000 12kg 6000e BASIC | 2 |
| 75 | 627602382 | ETIQUETA CARACTERISTICAS AZUL 2000 30kg 6000e BASIC | 2 |

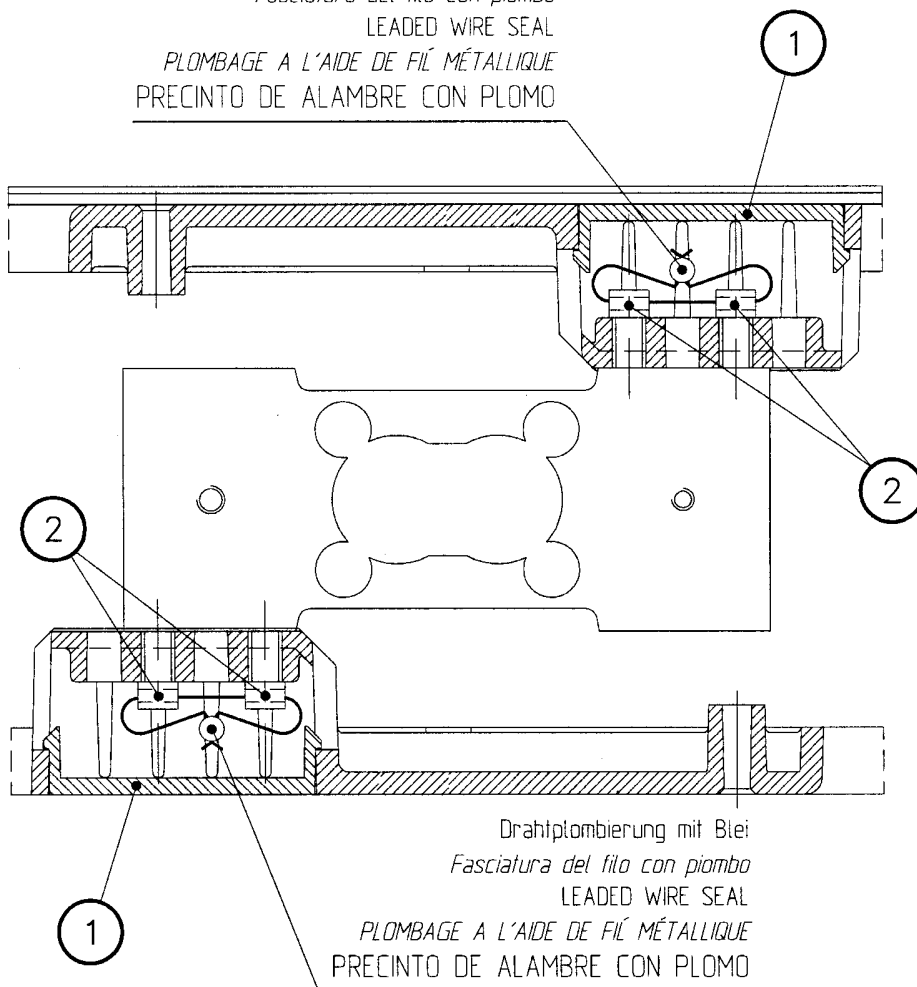
| | | | | | | | | | | | | | |
|---|-------|--------|--|----------|----------|-----------------|----|----|----|----|----|----|----------|
| MODELO BASIC LABEL 6000e V.E. STICK CE | | | DENOMINACIÓN LISTADO REFERENCIAS | | | | | | | | | | |
| MODIFICADO | FECHA | NOMBRE | CREADO | FECHA | NOMBRE | ESCALA conv. | | | | | | | |
| DIBUJADO | | | DIBUJADO | 30-05-01 | S.Perez | | | | | | | | |
| REVISADO | | | REVISADO | 30-05-01 | L. Albes | | | | | | | | |
| VALIDEZ | | |  | | | Nº PLANO | | | | | | | |
| <input checked="" type="checkbox"/> | 1 | 2 | | | | 3 | 4 | 5 | 6 | 7 | 8 | 9 | 135M0447 |
| | 10 | 11 | | | | 12 | 13 | 14 | 15 | 16 | 17 | 18 | |

1

VARIOS


| | | | | | | | | | | | | | | | | | | | | |
|-------------------------------------|-------|--------|--|---------|----------|------------------------|---|---|---|---|---|---|----|----|----|----|----|----|----|----|
| MODELO BASIC | | | DENOMINACIÓN SEPARADOR VARIOS | | | | | | | | | | | | | | | | | |
| MODIFICADO | FECHA | NOMBRE | CREADO | FECHA | NOMBRE | ESCALA conv. | | | | | | | | | | | | | | |
| DIBUJADO | | | DIBUJADO | 30-6-99 | L. Durán | | | | | | | | | | | | | | | |
| REVISADO | | | REVISADO | 30-6-99 | L. Albes | | | | | | | | | | | | | | | |
| VALIDEZ | | |  | | | Nº PLANO | | | | | | | | | | | | | | |
| <input checked="" type="checkbox"/> | 1 | 2 | | | | 3 | 4 | 5 | 6 | 7 | 8 | 9 | 10 | 11 | 12 | 13 | 14 | 15 | 16 | 17 |

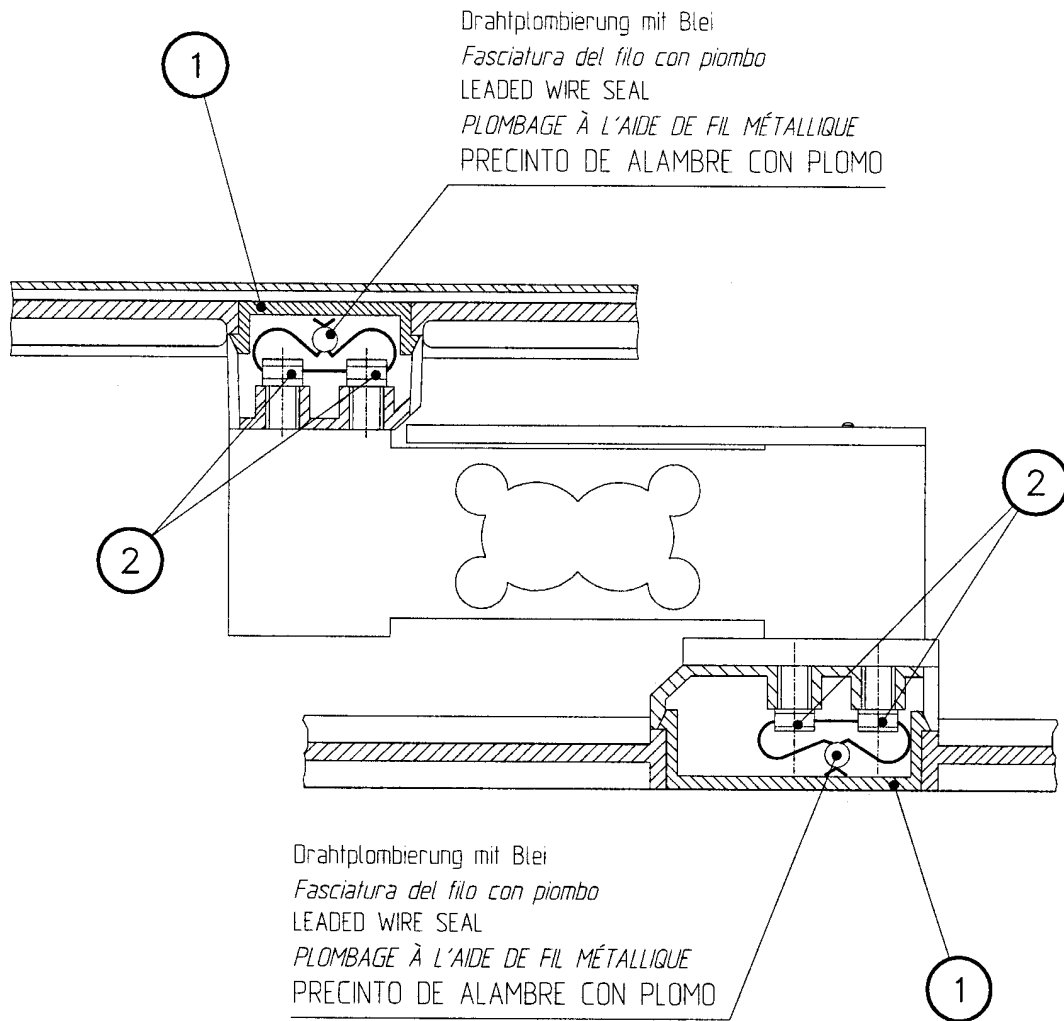
Drahtplombierung mit Blei
 Fasciatura del filo con piombo
 LEADED WIRE SEAL
 PLOMBAGE A L'AIDE DE FIL MÉTALLIQUE
 PRECINTO DE ALAMBRE CON PLOMO



1. 607602220 TAPETA PRECINTO BASIC
2. 614601070 TORNILLO PRECINTO M6x20 C/ALLEN (CINCADO)

-EN OPTION: POSE DE PLOMBES POUR MACHINE RÉPARÉE-
 -OPTIONAL SEALS FOR A REPAIRED MACHINE-
 -OPZIONE DI FASCIATURE PER PAGINA RIPARATA-
 -WAHLWEISE PLOMBIERUNGEN FÜR DIE REPARIERTE MASCHINE-

| | | | | | | | | | | | | | | | | | | | |
|-------------------------------------|-------|--------|--|---------|----------|----------|---------|---|---|---|---|---|----|----|----|----|----|----|----|
| MODELO | | | DENOMINACION | | | | | | | | | | | | | | | | |
| BASIC | | | OPCION DE PRECINTOS EN CELULA MB-N PARA MAQUINA REPARADA | | | | | | | | | | | | | | | | |
| MODIFICADO | FECHA | NOMBRE | CREADO | FECHA | NOMBRE | ESCALA | | | | | | | | | | | | | |
| DIBUJADO | | | DIBUJADO | 10-6-99 | L. Durán | CONV. | | | | | | | | | | | | | |
| REVISADO | | | REVISADO | 10-6-99 | L. Albes | | | | | | | | | | | | | | |
| VALIDEZ | | |  | | | No PLANO | | | | | | | | | | | | | |
| <input checked="" type="checkbox"/> | 1 | 2 | | | | 3 | 4 | 5 | 6 | 7 | 8 | 9 | 10 | 11 | 12 | 13 | 14 | 15 | 16 |
| | | | | | | REF. | 1241797 | | | | | | | | | | | | |



1. 607602220 TAPETA PRECINTO BASIC
2. 614602270 TORNILLO PRECINTO M6x25 C/ALLEN (CINCADO)


-EN OPTION: POSE DE PLOMBES POUR MACHINE RÉPARÉE-
 -OPTIONAL SEALS FOR A REPAIRED MACHINE-
 -OPZIONE DI FASCIATURE PER PAGINA RIPARATA-
 -WAHLWEISE PLOMBIERUNGEN FÜR DIE REPARIERTE MASCHINE-

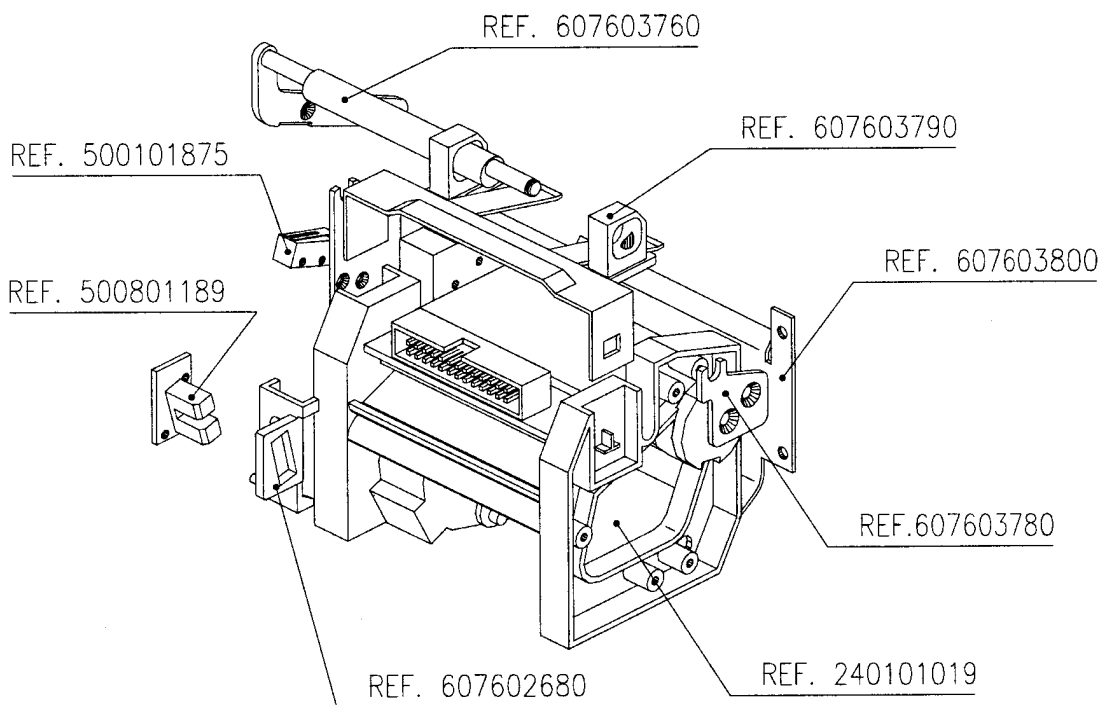
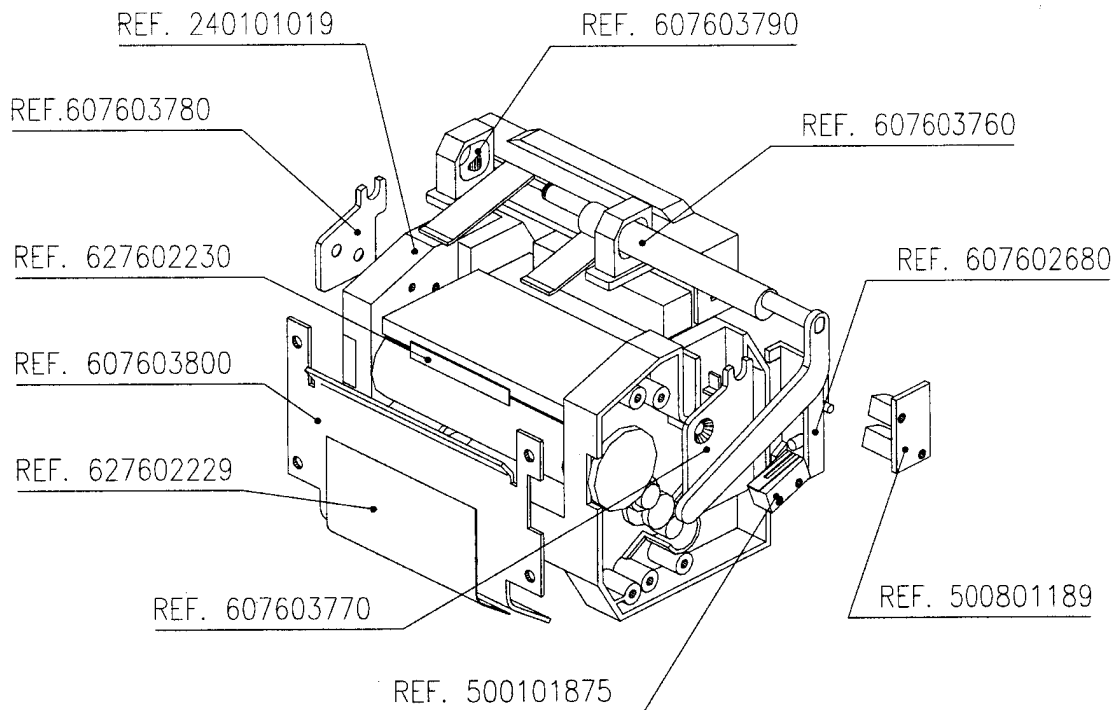
| | | | | | | | | | | | | | | | | | | | | | | | | | | | | | | | |
|---|---------|----------|----|---|---------|------------|----|----|--|--|--|--|---|---|---|---|---|---|---|--|--|----|----|----|----|----|----|----|----|----|------|
| MODELO | | BASIC | | DENOMINACION | | | | | | | | | | | | | | | | | | | | | | | | | | | |
| | | | | OPCION DE PRECINTOS PARA MAQUINA REPARADA | | | | | | | | | | | | | | | | | | | | | | | | | | | |
| MODIFICADO | FECHA | NOMBRE | | CREADO | FECHA | NOMBRE | | | | | | | | | | | | | | | | | | | | | | | | | |
| DIBUJADO | 21-1-98 | L. Durán | | DIBUJADO | 29-7-98 | A. Llorens | | | | | | | | | | | | | | | | | | | | | | | | | |
| REVISADO | 21-1-98 | L.Albes | | REVISADO | 29-7-98 | L. Albes | | | | | | | | | | | | | | | | | | | | | | | | | |
| ALIDEZ | | | | Campesa s.a. | | NO PLANO | | | | | | | | | | | | | | | | | | | | | | | | | |
| <table border="1" style="display: inline-table; border-collapse: collapse;"> <tr> <td style="width: 20px; height: 20px; text-align: center;">X</td> <td style="width: 20px; height: 20px; text-align: center;">X</td> <td style="width: 20px; height: 20px; text-align: center;">X</td> <td style="width: 20px; height: 20px;"></td> <td style="width: 20px; height: 20px;"></td> <td style="width: 20px; height: 20px;"></td> <td style="width: 20px; height: 20px;"></td> <td style="width: 20px; height: 20px;"></td> <td style="width: 20px; height: 20px;"></td> </tr> <tr> <td style="text-align: center;">3</td> <td style="text-align: center;">4</td> <td style="text-align: center;">5</td> <td style="text-align: center;">6</td> <td style="text-align: center;">7</td> <td style="text-align: center;">8</td> <td style="text-align: center;">9</td> <td colspan="2"></td> </tr> <tr> <td style="text-align: center;">11</td> <td style="text-align: center;">12</td> <td style="text-align: center;">13</td> <td style="text-align: center;">14</td> <td style="text-align: center;">15</td> <td style="text-align: center;">16</td> <td style="text-align: center;">17</td> <td style="text-align: center;">18</td> <td style="text-align: center;">19</td> </tr> </table> | | X | X | | | X | | | | | | | 3 | 4 | 5 | 6 | 7 | 8 | 9 | | | 11 | 12 | 13 | 14 | 15 | 16 | 17 | 18 | 19 | REF. |
| X | X | X | | | | | | | | | | | | | | | | | | | | | | | | | | | | | |
| 3 | 4 | 5 | 6 | 7 | 8 | 9 | | | | | | | | | | | | | | | | | | | | | | | | | |
| 11 | 12 | 13 | 14 | 15 | 16 | 17 | 18 | 19 | | | | | | | | | | | | | | | | | | | | | | | |



- 1- TAPETA DE CARACTERISTICAS S/MODELO
 Couvercle signalétique selon Modele
 Features cover just as Model
 Coperchietto delle caratteristiche S/Modello
 Deckel in ausführung gemäß vorlage
- 2- 611600140 PLACA DE PUNZONAJE
 Plaque de poinçonnage
 Punchplate
 Placca di punzonatura
 Stanzplatte
- 1- 627600050 PLOMO 27x12
 Plom 27x12
 Plumb 27x12
 Piombo 27x12
 Blei 27x12

- Couvercle signalétique avec plaque de poinçonnage-
- Features cover with punchplate-
- Coperchietto delle caratteristiche con placca di punzonatura-
- Deckel in ausführung mit stanzplatte-

| | | | | | | |
|-------------------------------------|-------------------------------------|-----------------|--|----------|----------|----------|
| MODELO | | | DENOMINACION | | | |
| | | | TAPETA CARACTERISTICAS CON PLACA DE PUNZONAJE | | | |
| MODIFICADO | FECHA | NOMBRE | CREADO | FECHA | NOMBRE | ESCALA |
| DIBUJADO | 21-1-99 | L. Durán | DIBUJADO | 26-11-98 | L. Durán | CONV. |
| REVISADO | 21-1-99 | L. Albes | REVISADO | 26-11-98 | L. Albes | |
| VALIDEZ | | |  Campesa s.a. | | | No PLANO |
| <input checked="" type="checkbox"/> | <input checked="" type="checkbox"/> | 2 3 4 5 6 7 8 9 | | | | REF. |
| 10 11 12 13 14 15 16 17 18 19 | | 135M0217 | | | | |



| | | | | | | | | | | | | | | | | | | | | | | | | |
|---|---------|----------|--|----------|----------|-----------------|----|----|----|---|---|---|---|----|----|----|----|----|----|----|----|----|----|------|
| MODELO ETIQUETADORA AXIOHM | | | DENOMINACION CJTO. EN EXPLOSION ETIQUETADORA AXIOHM | | | | | | | | | | | | | | | | | | | | | |
| MODIFICADO | FECHA | NOMBRE | CREADO | FECHA | NOMBRE | ESCALA CONV. | | | | | | | | | | | | | | | | | | |
| DIBUJADO | 20-6-01 | L. Durán | DIBUJADO | 10-11-99 | L. Durán | | | | | | | | | | | | | | | | | | | |
| REVISADO | 20-6-01 | L. Albes | REVISADO | 10-11-99 | L. Albes | | | | | | | | | | | | | | | | | | | |
| VALIDEZ | | |  | | | No PLANO | | | | | | | | | | | | | | | | | | |
| <table border="1"> <tr> <td>X</td><td>X</td><td>2</td><td>3</td><td>4</td><td>5</td><td>6</td><td>7</td><td>8</td><td>9</td> </tr> <tr> <td>10</td><td>11</td><td>12</td><td>13</td><td>14</td><td>15</td><td>16</td><td>17</td><td>18</td><td>19</td> </tr> </table> | X | X | | | | 2 | 3 | 4 | 5 | 6 | 7 | 8 | 9 | 10 | 11 | 12 | 13 | 14 | 15 | 16 | 17 | 18 | 19 | REF. |
| X | X | 2 | 3 | 4 | 5 | 6 | 7 | 8 | 9 | | | | | | | | | | | | | | | |
| 10 | 11 | 12 | 13 | 14 | 15 | 16 | 17 | 18 | 19 | | | | | | | | | | | | | | | |